

XL DEPOSITOR

Heavy Duty Depositing Rev 005

If you need a machine that can handle heavy duty bulk depositing, then the Unifiller XL is your answer. The main function of the XL is to accommodate large volume deposits of cake batter, cheesecake mixture, fruit pie fillings and other soft mixes of up to 9 lbs (4kg) per single shot without damaging the product.

System Includes

- XL Depositor unit to deposit a weight range of between 1 to 9 lbs. (.45 to 4kg) of product shot
- 6" Cylinder & Piston
- All stainless steel construction frame with 4 inch locking swivel casters
- Foot operated starter switch (press to get one or hold for multiple shots)
- Standard fixed height outlet pipe, or made custom to suit specific requirements at an extra charge
- XL PC nozzle
- Extra large 140 quart (35 gallon) (132 L) hopper

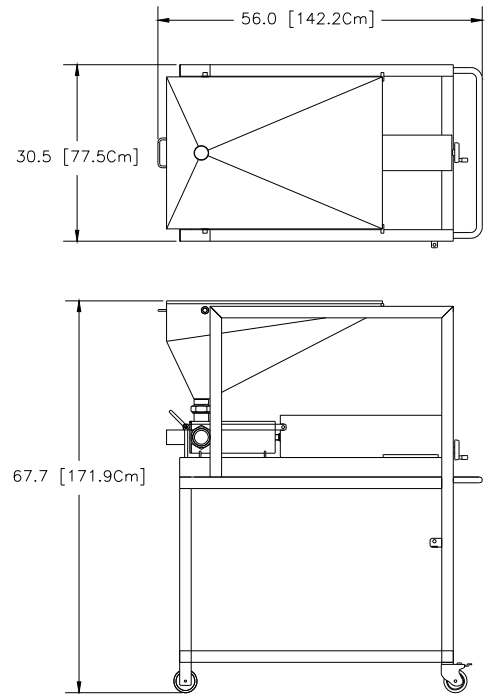
Common Applications

- Batter for sponge cakes, cheesecake, brownies, loafs, etc.
- Fruit filling for pies
- Icings, frostings & toppings
- Jams & jellies
- Creams, custards & mousse
- Anything that can be squeezed through a pastry bag!



Product Cylinder

CYLINDER SIZE	DEPOSIT VOLUME (fl oz)			
	Min		Max	
6"	15 oz	444 ml	150.2 oz	4442 ml
5"	10.3 oz	306 ml	103.4 oz	3059 ml
Bore Reducer Kit for use with 6" Cylinder Reduces 6" to 3"	DEPOSIT VOLUME (fl oz)			
	8 oz	106ml	36oz	1064ml



Shipping Information

Dimensions: 59" x 35" x 75" (150cm x 89cm x 191cm)
 Weight: 500 lbs (227 kg)

Performance Specifications



Speed
 Up to 3000 deposits / hr



Power
 Air only 6CFM@ 80 PSI
 5.5 Bar @ 170 liters/min



Volume
 10.3 oz to 150.2 oz
 106ml to 4442ml



Particle Size
 Up to 1" cube
 25mm

Note: Equipment quoted is designed to run at the speeds given, but is dependent on operator efficiency and skill, as well as deposit size and product consistency.

Unifiller Systems Inc.

7621 MacDonald Road, Delta, B.C., Canada, V4G 1N3
 Phone: (604) 940-2233 Toll-free: (888) 733-8444 Fax: (604) 940-2195
www.unifiller.com Email: info@unifiller.com