

XL DEPOSITOR

Heavy Duty Depositing Rev 005

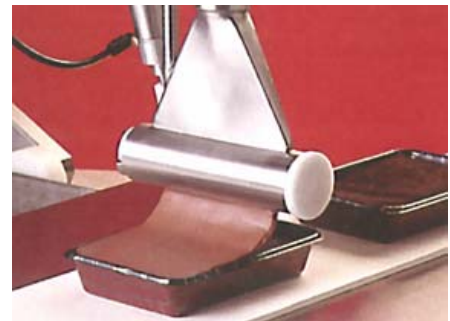
If you need a machine that can handle heavy duty bulk depositing, then the Unifiller *XL* is your answer. The main function of the *XL* is to accommodate large volume deposits of cake batter, cheesecake mixture, fruit pie fillings and other soft mixes of up to 9 lbs (4kg) per single shot without damaging the product.

System Includes

- XL Depositor unit to deposit a weight range of between 1 to 9 lbs. (.45 to 4kg) of product shot
- 6" Cylinder & Piston
- All stainless steel construction frame with 4 inch locking swivel casters
- Foot operated starter switch (press to get one or hold for multiple shots)
- Standard fixed height outlet pipe, or made custom to suit specific requirements at an extra charge
- XL PC nozzle
- Extra large 140 quart (35 gallon) (132 L) hopper

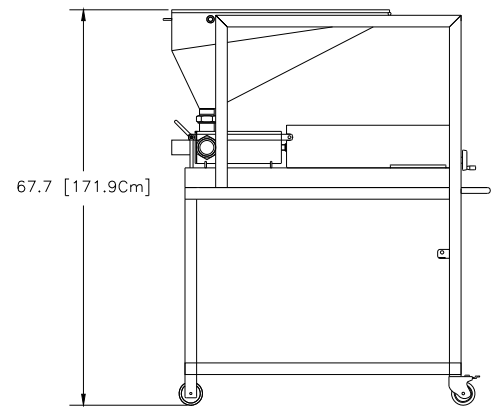
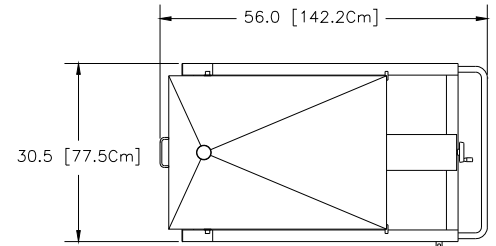
Common Applications

- Batter for sponge cakes, cheesecake, brownies, loafs, etc.
- Fruit filling for pies
- Icings, frostings & toppings
- Jams & jellies
- Creams, custards & mousse
- Anything that can be squeezed through a pastry bag!



Product Cylinder

CYLINDER SIZE	DEPOSIT VOLUME (fl oz)			
	Min		Max	
6"	15 oz	444 ml	150.2 oz	4442 ml
5"	10.3 oz	306 ml	103.4 oz	3059 ml
Bore Reducer Kit for use with 6" Cylinder Reduces 6" to 3"	DEPOSIT VOLUME (fl oz)			
	8 oz	106ml	36oz	1064ml



Shipping Information

Dimensions: 59" x 35" x 75" (150cm x 89cm x 191cm)
 Weight: 500 lbs (227 kg)

Performance Specifications



Speed
Up to 3000 deposits / hr



Power
Air only 6CFM@ 80 PSI
5.5 Bar @ 170 liters/min



Volume
10.3 oz to 150.2 oz
106ml to 4442ml



Particle Size
Up to 1" cube
25mm

Note: Equipment quoted is designed to run at the speeds given, but is dependent on operator efficiency and skill, as well as deposit size and product consistency.