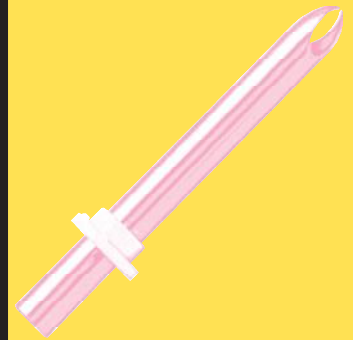
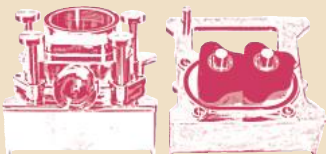
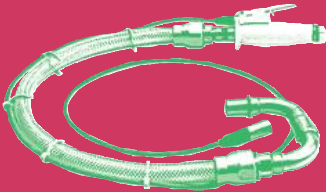
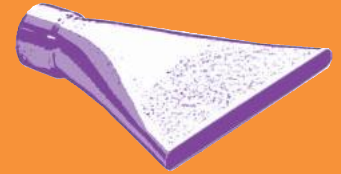
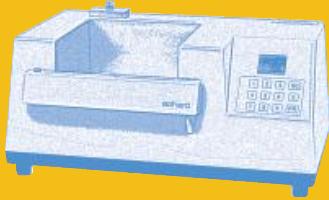


edhard

Equipment and Accessory Guide



PT-SERIES

The Edhard PT-Series is a stand-alone system that can be used as a dosing pump and also as a transfer pump. Its reversible motor means that this system can be used with a suction tube (for looser products) as well as a gravity-fed hopper (just like our table-top units).

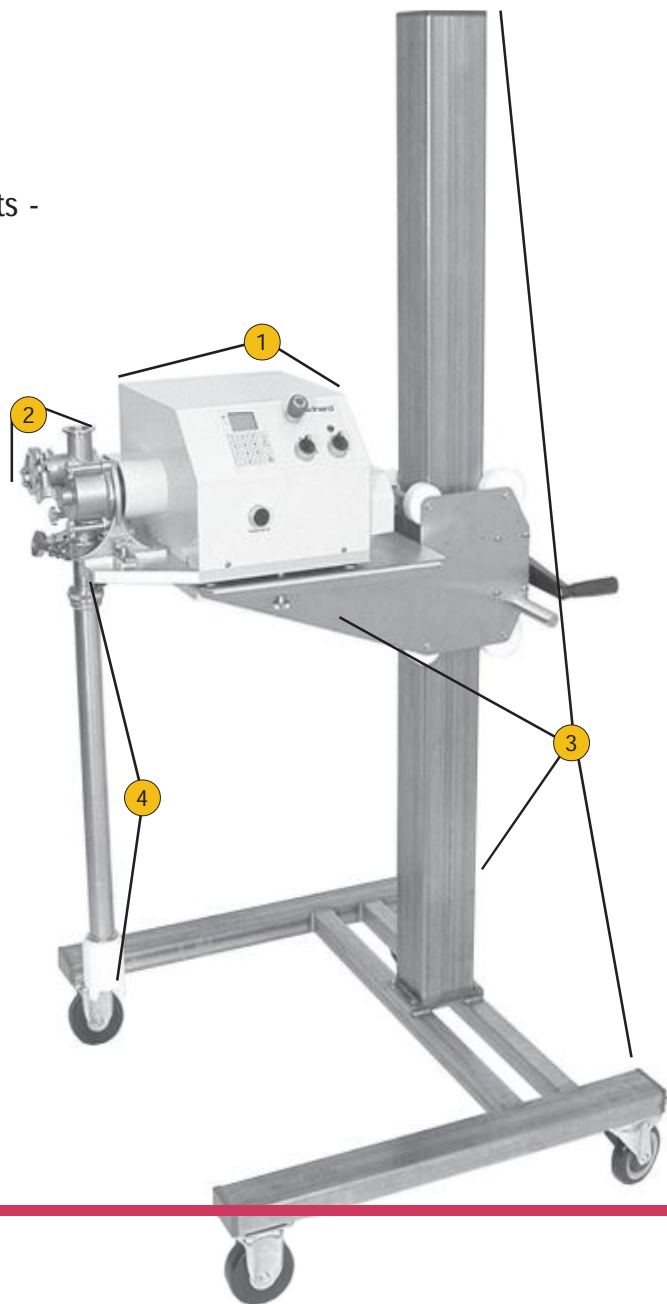
The system is comprised of four major components -

- 1 **Power Base**
- 2 **Pump**
- 3 **Cart**
- 4 **Suction Tube/Hopper**

Various Accessories are available to finish off the system - Batter Spouts, Elbows, Extensions, etc.

Remember, if you don't see what you had in mind chances are good that we can manufacture something to meet your specifications.

Please call or e-mail with any questions.





PT-4035:	200W motor	120VAC	Model MKT
PT-4036:	200W motor	220VAC	Model MKT
PT-4037:	400W motor	220VAC	Model MKT

Power Base · Variable Speed · Transfer Type

What fits me?

P



PT-8010: Stainless Steel · for use with PT-Series Power Bases
Cart



PT-3381: Used to counterbalance a Hose Assembly- attaches to column of PT-8010
Balancer Assembly



FT-3342: Gear-Type Stainless and Nylon Impellers
FT-3465: Gear-Type PEEK Impellers

P Pump · Suction · Stainless Steel

What fits me?

A S

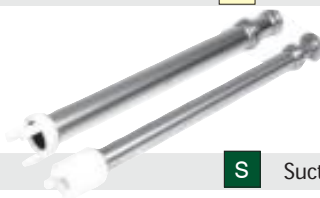


FTR-3343: Lobe-Type Viton 3-Lobe Impellers

P Pump · Suction · Stainless Steel

What fits me?

A S



FT-3375: 1-1/4"Ø w/ ball check valve
FT-3430: 2"Ø w/out ball check valve

S Suction Tube



- FT-3366:** Gear-Type Stainless and Nylon Impellers
- FT-3466:** Gear-Type Stainless Impellers
- FT-3470:** Gear-Type PEEK Impellers · for Low-Viscosity products
- FT-3573:** Gear-Type PEEK Impellers · Single Outlet Housing

What fits me?

A H

P Pump · Hopper Feed · Stainless Steel

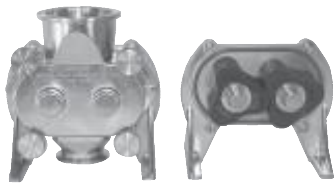


- FTR-3371:** Lobe-Type Viton 3-Lobe Impellers

What fits me?

A H

P Pump · Hopper Feed · Stainless Steel



- FTR-3516:** Lobe-Type Viton 3-Lobe Impellers · Single Outlet Housing

What fits me?

A H

P Pump · Hopper Feed · Stainless Steel



- FT-20064:** 18 Qt. (17L) capacity w/ 45° neck
- FT-20065:** 18 Qt. (17L) capacity w/ 30° neck
- FT-20131:** 36 Qt. (34L) capacity

What fits me?

J P

H Hopper · Stainless Steel · for use on FT- and FTR-Series Pumps



- FT-3520:** Manifold · Double · 4" (101.6mm) spacing · sanitary connections

What fits me?

S A

A Adaptor



- FT-3399:** Sanitary Fitting to 7/8" Ø (22.2mm) · used to mate Single Outlet Spouts to FT- or FTR-Series Pumps

What fits me?

S

A Adaptor



- FT-20176:** Hose to Sanitary Fitting · used to mate Hose Assy. to FT- or FTR-Series Pumps

What fits me?

H

A Adaptor



- FT-3586:** Connector · used to mate FT-Series Adaptors, Elbows, Batter & Cupcake spouts to FT- or FTR-Series Pumps

What fits me?

S E

A Adaptor



What fits me?

S E

FT-3377: Universal Extension · 1-1/8"Ø x 18-1/2"L (28.6mm x 470mm)
CUSTOM: Universal Extension · 1-1/8"Ø x Specify Length

A Adaptor



What fits me?

T

FT-3379: Universal Extension to 7/8" Thread · 1-1/8"Ø - 7/8"Thread (28.6mm - 22.2mm)

E Elbow · Threaded Tip



What fits me?

C

FT-3386: Universal Extension to Cupcake Spout · 1-1/8"Ø - 7/8"Ø (28.6mm - 22.2mm)

E Elbow · for use w/ F-Series Stainless Cupcake Spouts



What fits me?

S

FT-3378: Universal Extension to Cupcake Spout · 1-1/8"Ø - 1-1/8"Ø (28.6mm - 28.6mm)

E Elbow · for use w/ FT-Series Stainless Cupcake Spouts



FT-20217: Batter

S Spout



FT-3395: Double Batter

S Spout



FT-3376: Dripless Cupcake · 3-1/4" (82.55) spacing
CUSTOM: Dripless Cupcake · Specify spacing

S Spout



- FT-3563:** Cupcake · 3/4"Ø x 3-1/4"Spacing (11.1mm x 82.55mm)
- FT-3570:** Cupcake · 7/8"Ø x 2-3/4"Spacing (22.2mm x 69.85mm)
- FT-3569:** Cupcake · 7/8"Ø x 3-1/4"Spacing (22.2mm x 82.55mm)
- FT-3568:** Cupcake · 7/8"Ø x 3-3/8"Spacing (22.2mm x 85.73mm)
- FT-3567:** Cupcake · 7/8"Ø x 3-5/8"Spacing (22.2mm x 92.08mm)
- FT-3566:** Cupcake · 7/8"Ø x 4"Spacing (22.2mm x 101.6mm)
- FT-3565:** Cupcake · 7/8"Ø x 4-1/8"Spacing (22.2mm x 104.78mm)
- FT-3571:** Cupcake · 7/8"Ø x 4-1/4"Spacing (22.2mm x 107.95mm)
- FT-3564:** Cupcake · 7/8"Ø x 4-3/8"Spacing (22.2mm x 111.13mm)
- CUSTOM:** Cupcake · Specify Spacing

What fits me?

T T

S Spout · 3/4" or 7/8" Threaded Tip



- FT-3402:** Hose Assy. · 7/8"Threaded Tip - 36"(.914M) long
- CUSTOM:** Hose Assy. · 7/8"Threaded Tip - Specify Length

What fits me?

D T

H Spout



- FT-3548:** Hose Assy. · 7/8"Threaded Tip - 36"(.914M) long w/ F-3141 Extension wand for use on FT- & FTR-Series Pumps
- CUSTOM:** Hose Assy. · 7/8"Threaded Tip - Specify Length

What fits me?

S T

H Spout

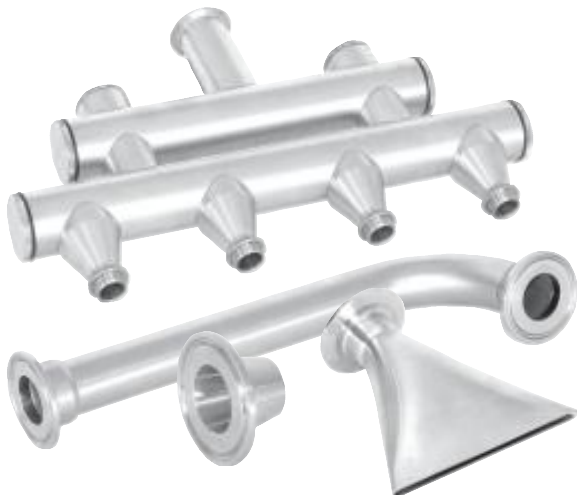


- FT-3617:** Bundt · 4x7/8"Ø on a 3-1/2"Ø (4x22.2mm x 88.9mm)
- CUSTOM:** Bundt · 4x7/8"Ø x Specify Diameter

What fits me?

T

S Spout · 7/8" Threaded Tip



- CUSTOM:** Spouts/Extensions/Orifices · Specify product, application, size, etc.

A E S Custom