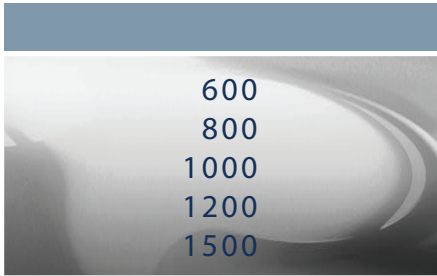


POLIN

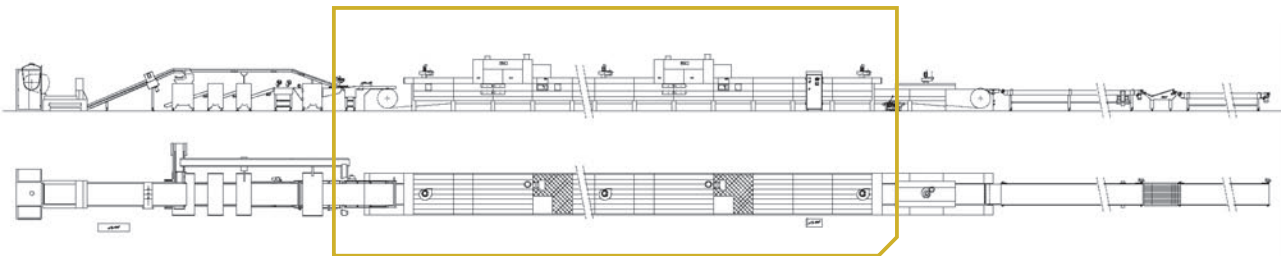
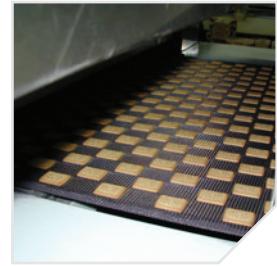
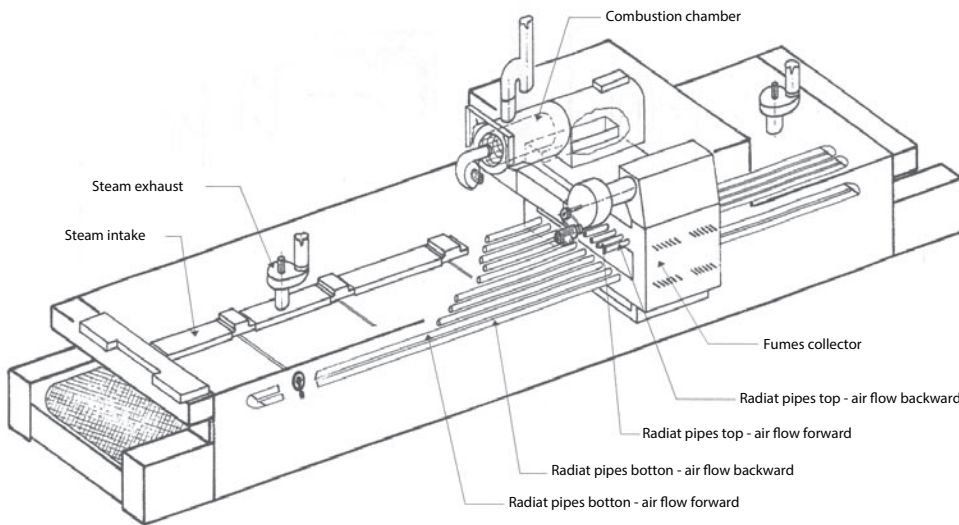
INDUSTRIAL LINE

- Cyclothermic Tunnel Oven
- Hard biscuits
-

CYCLOTHERMIC TUNNEL OVEN



600
800
1000
1200
1500



45 Garema Circuit, Kingsgrove NSW 2208 Australia
t. +61 2 9740 5122 f. +61 2 9740 5237
e. info@rvo.com.au

