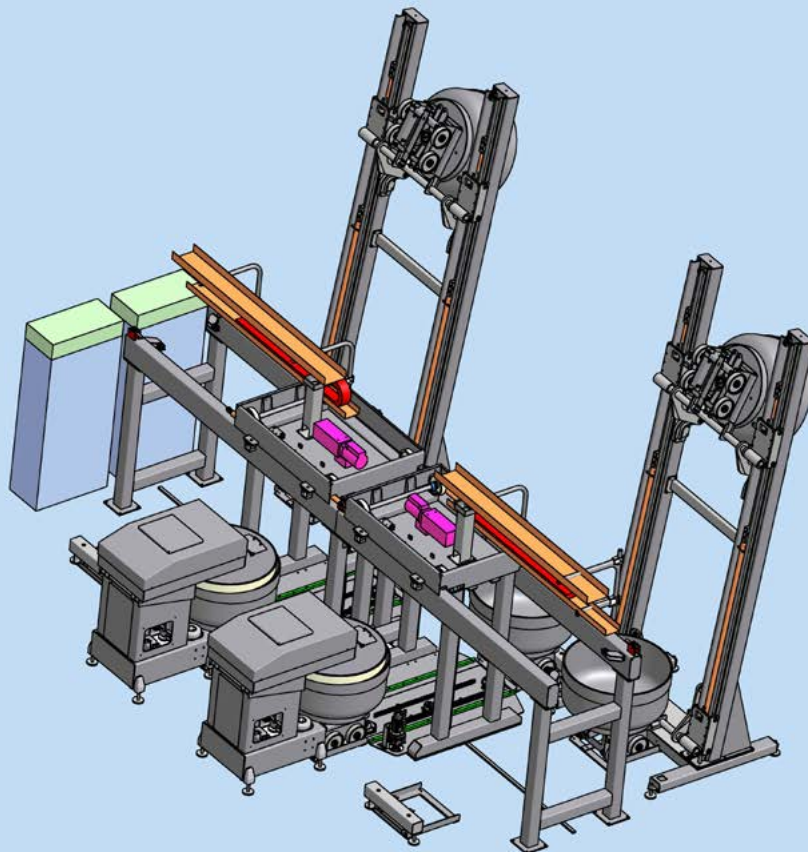
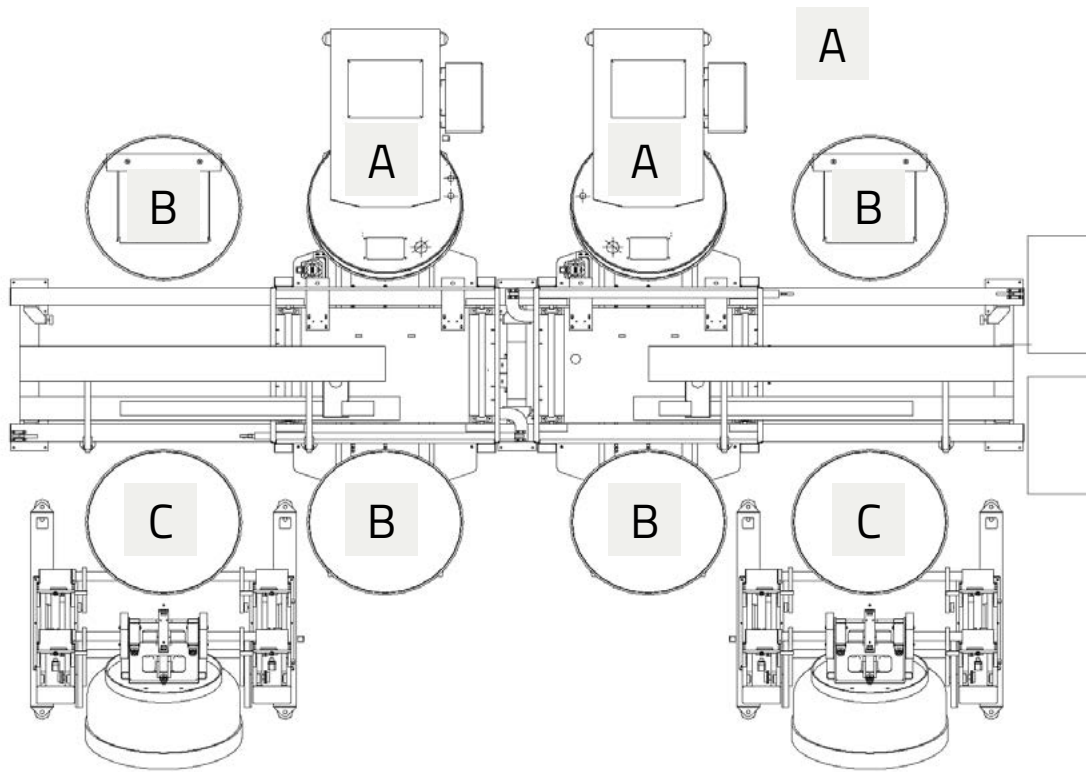


The background of the entire page is a light blue technical drawing of industrial machinery, including large circular tanks, complex piping, and mechanical components. The drawing is rendered in a fine, light blue line style.

**MIXER**  
ART OF MIXING

**INDUSTRIAL**   
**PLANTS**

# IAL - AUTOMATIC LINEAR PLANT




**WORKING STATIONS**

- A PRO E 400**  
Industrial spiral mixer with direct ingredients loading
- B REST STATION**  
Industrial spiral mixer
- C SDC 400**  
Double column industrial lifter dumper

**WORKING OPERATIONS**

- loading
- kneading
- resting
- discharge phases

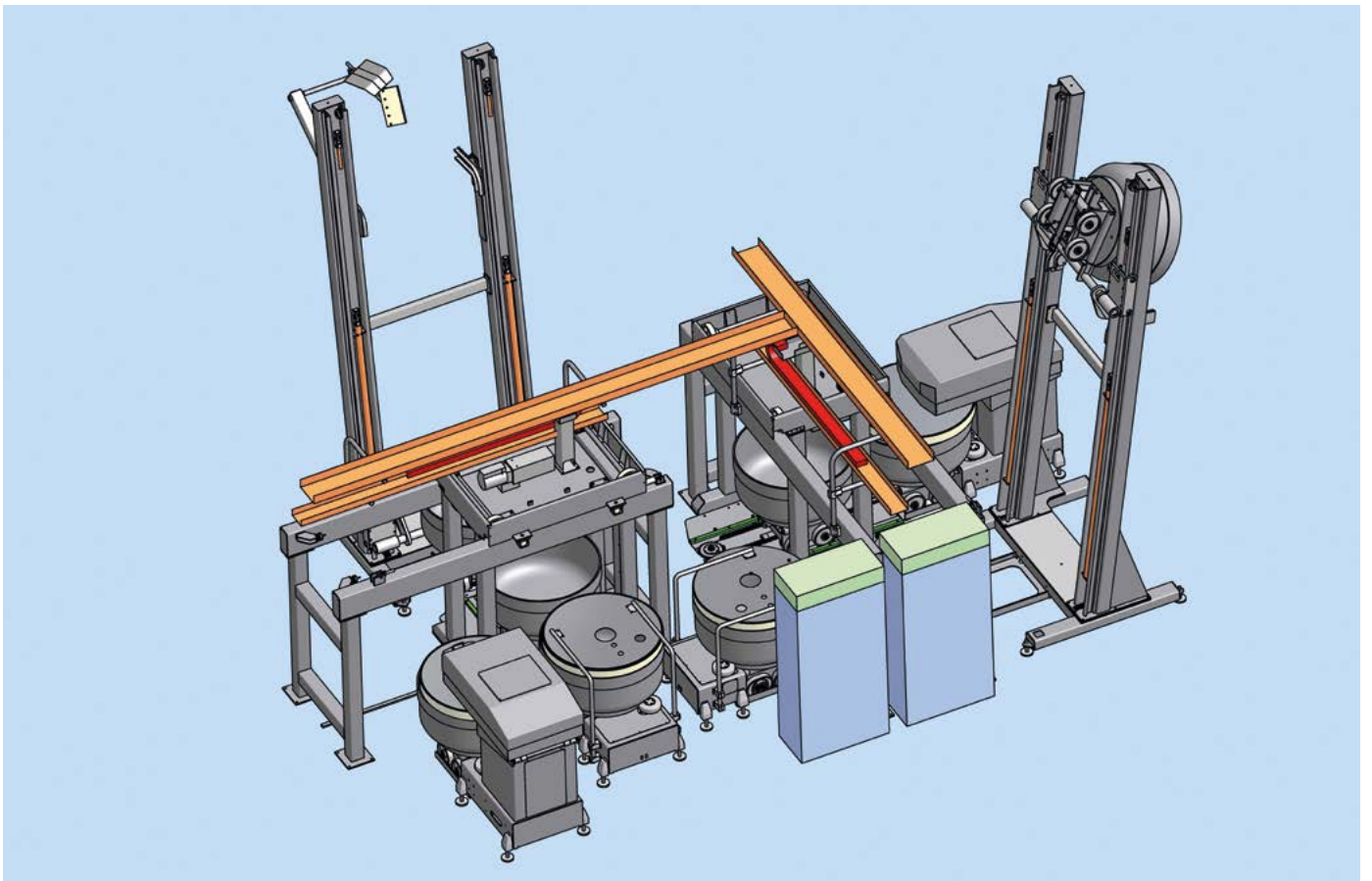
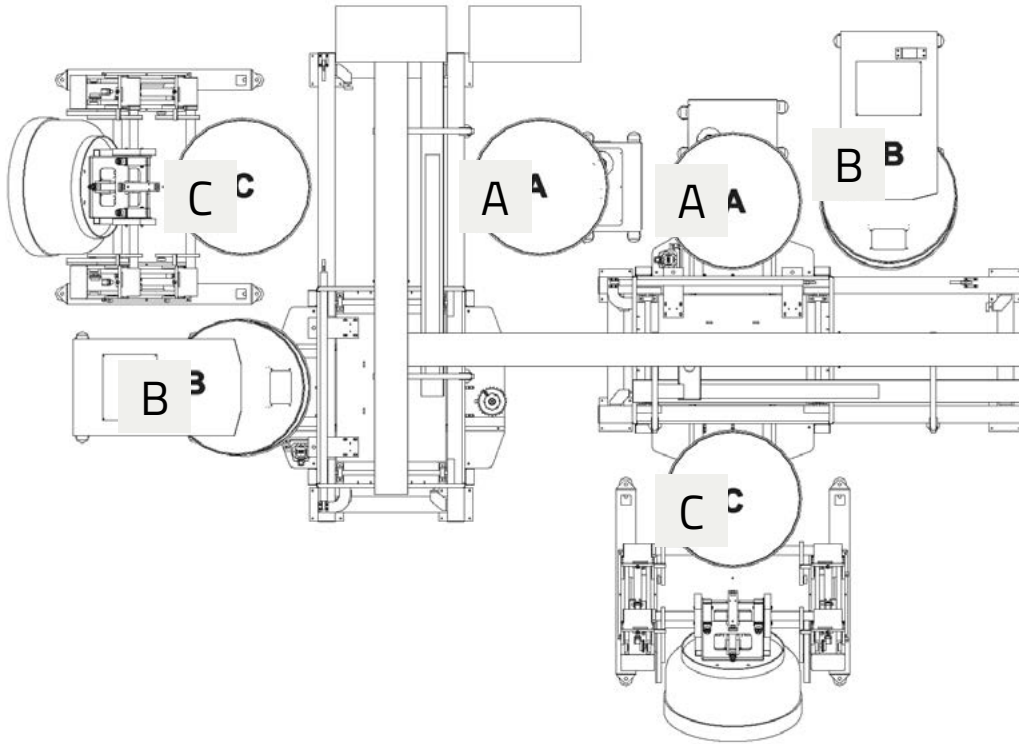
**GENERAL INFORMATION**

- product: bread 
- country: Czech Republic

**PRODUCTION LINE 1500 kg/h OF DOUGH**



# IAL - AUTOMATIC LINEAR PLANT



**WORKING STATIONS**

**A** **INGREDIENT LOADING**


**B** **PRO E 400**  
Industrial spiral mixer

**C** **SDC 400**  
Double column industrial lifter dumper

**WORKING OPERATIONS**

- loading
- kneading
- discharge phases

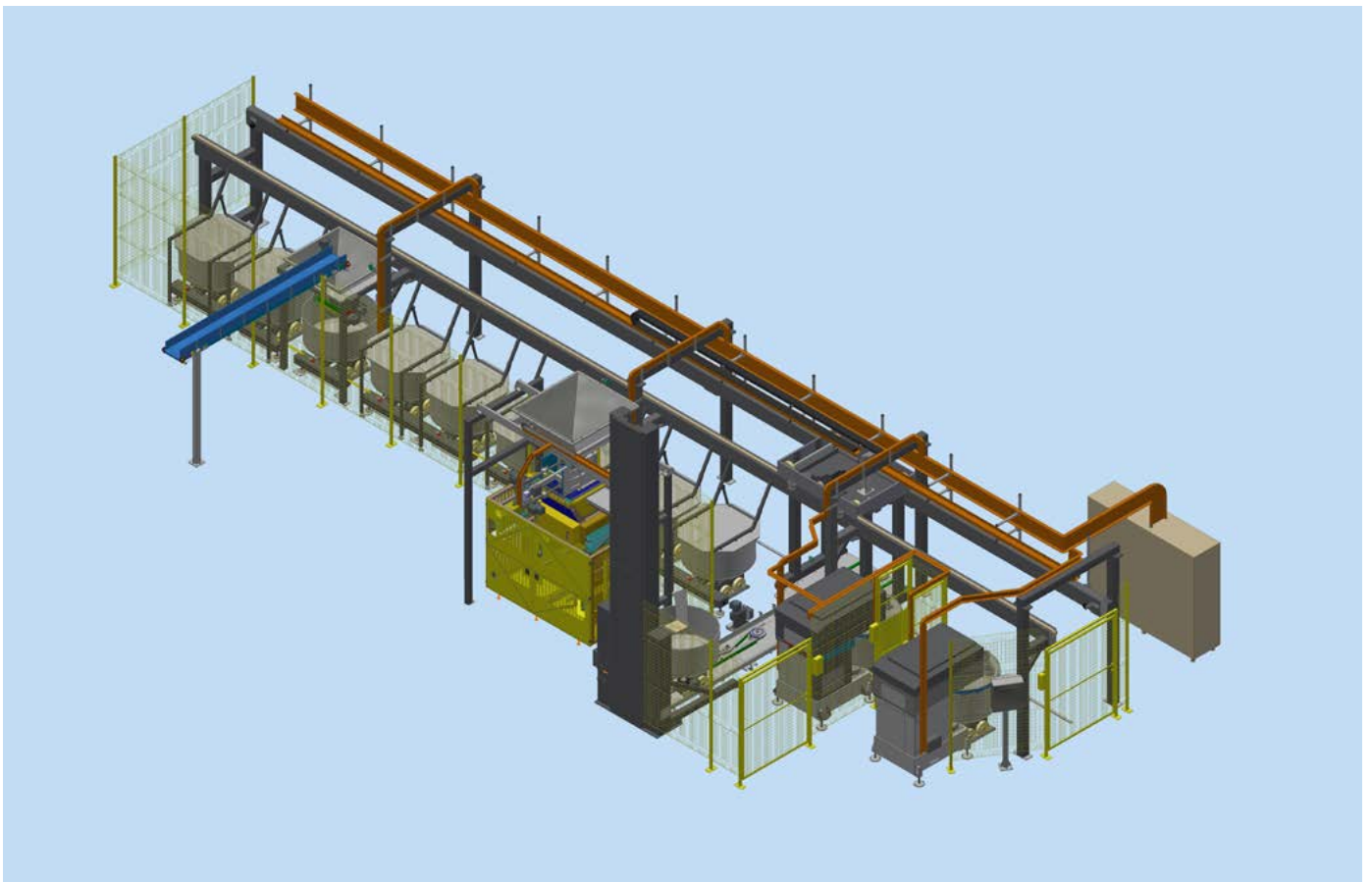
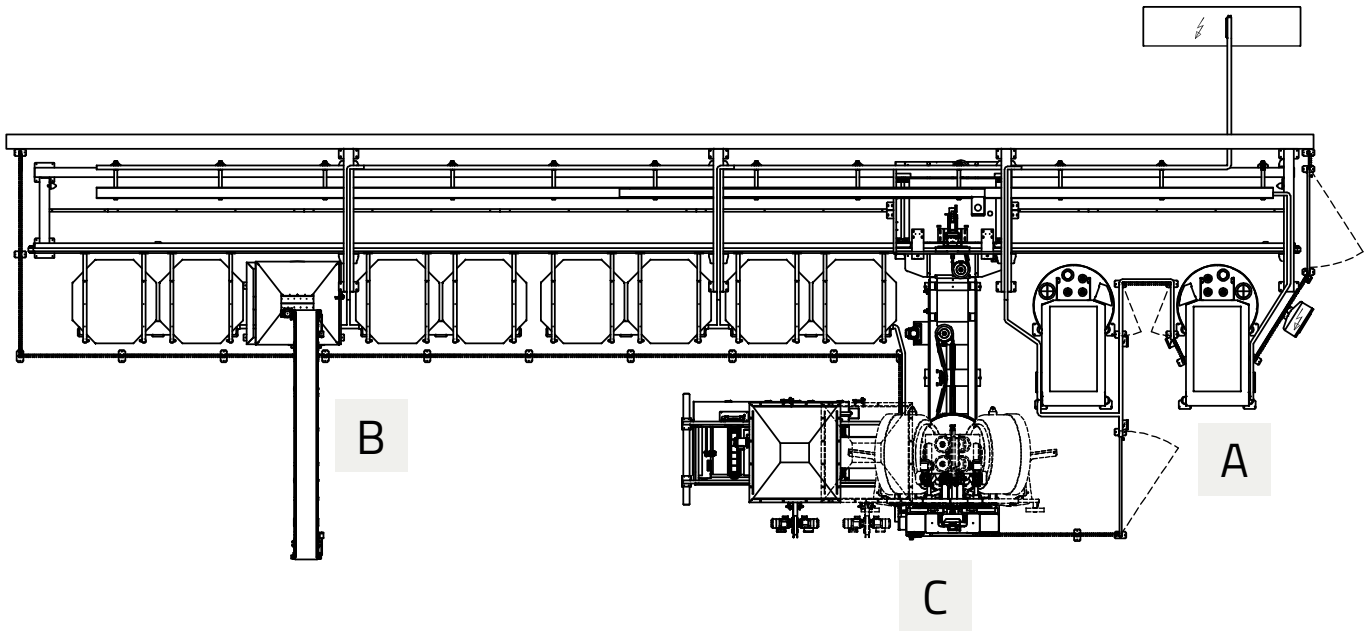
**GENERAL INFORMATION**

- product: bread 
- country: Czech Republic

**PRODUCTION LINE 1500 kg/h OF DOUGH**



# IAL - AUTOMATIC LINEAR PLANT




**WORKING STATIONS**

- A WKM.E 400**  
Industrial spiral mixer
- B ADDITIONAL BOWL TROLLEY**  
For leavening and for dosing
- C BLT 400**  
Single column lifter/dumper

**WORKING OPERATIONS**

- kneading
- leavening
- dosing
- discharging

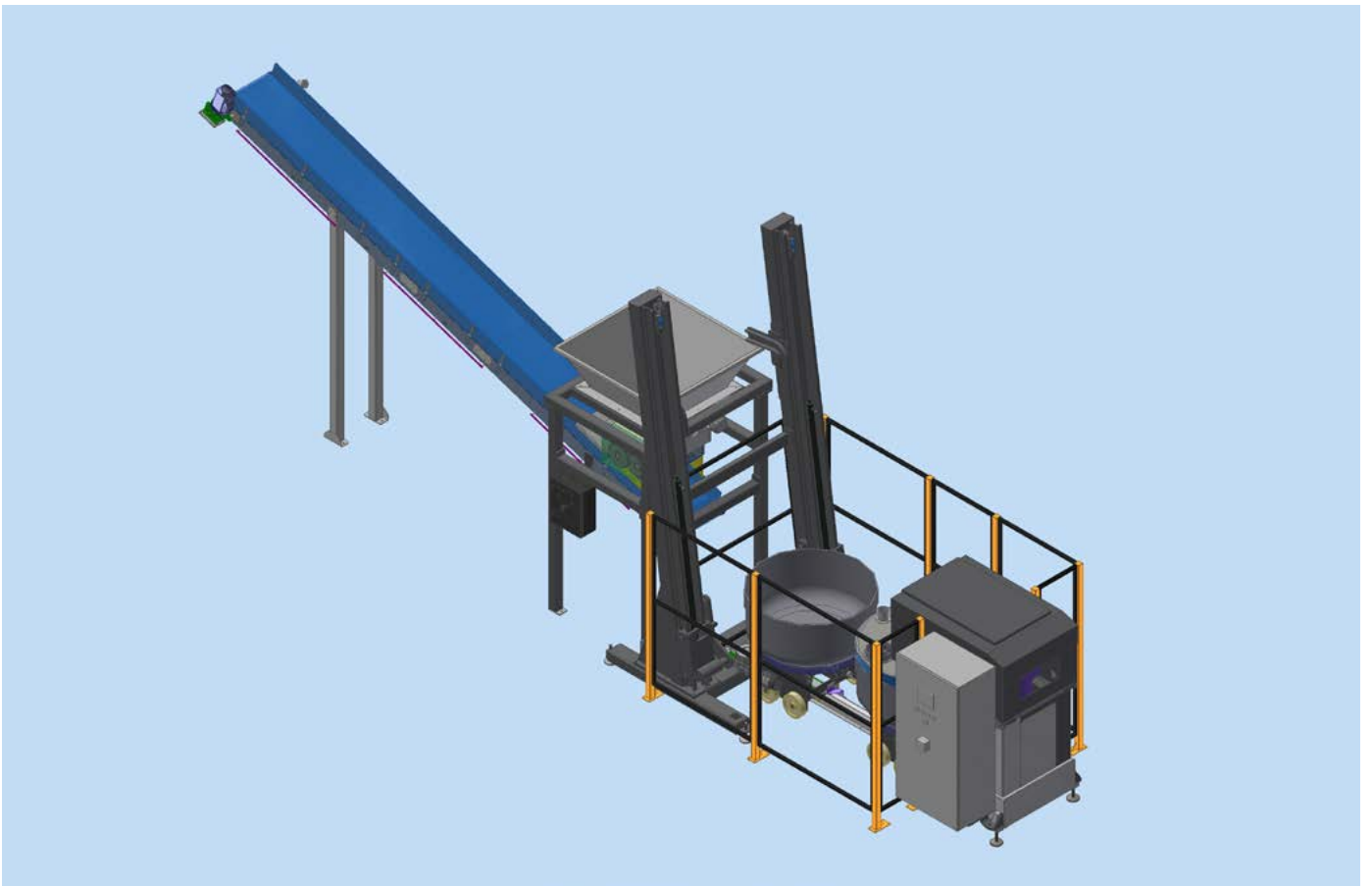
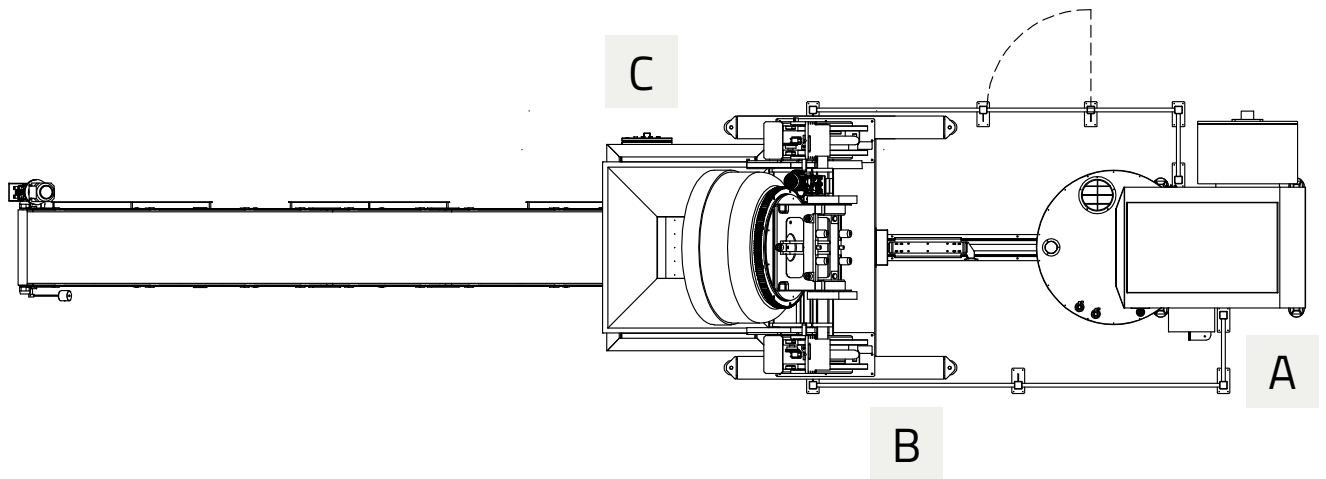
**GENERAL INFORMATION**

- product: bread 
- country: Italy

**PRODUCTION LINE 2400 kg/h OF DOUGH**



# EASY DRIVER





**WORKING STATIONS**

**A AVANT FORCE 400**  
Double spiral mixer


**B CONVEYOR BELT**

**C SDC 300**  
Double column lifter

**WORKING OPERATIONS**

- Kneading
- Conveying
- Lifting

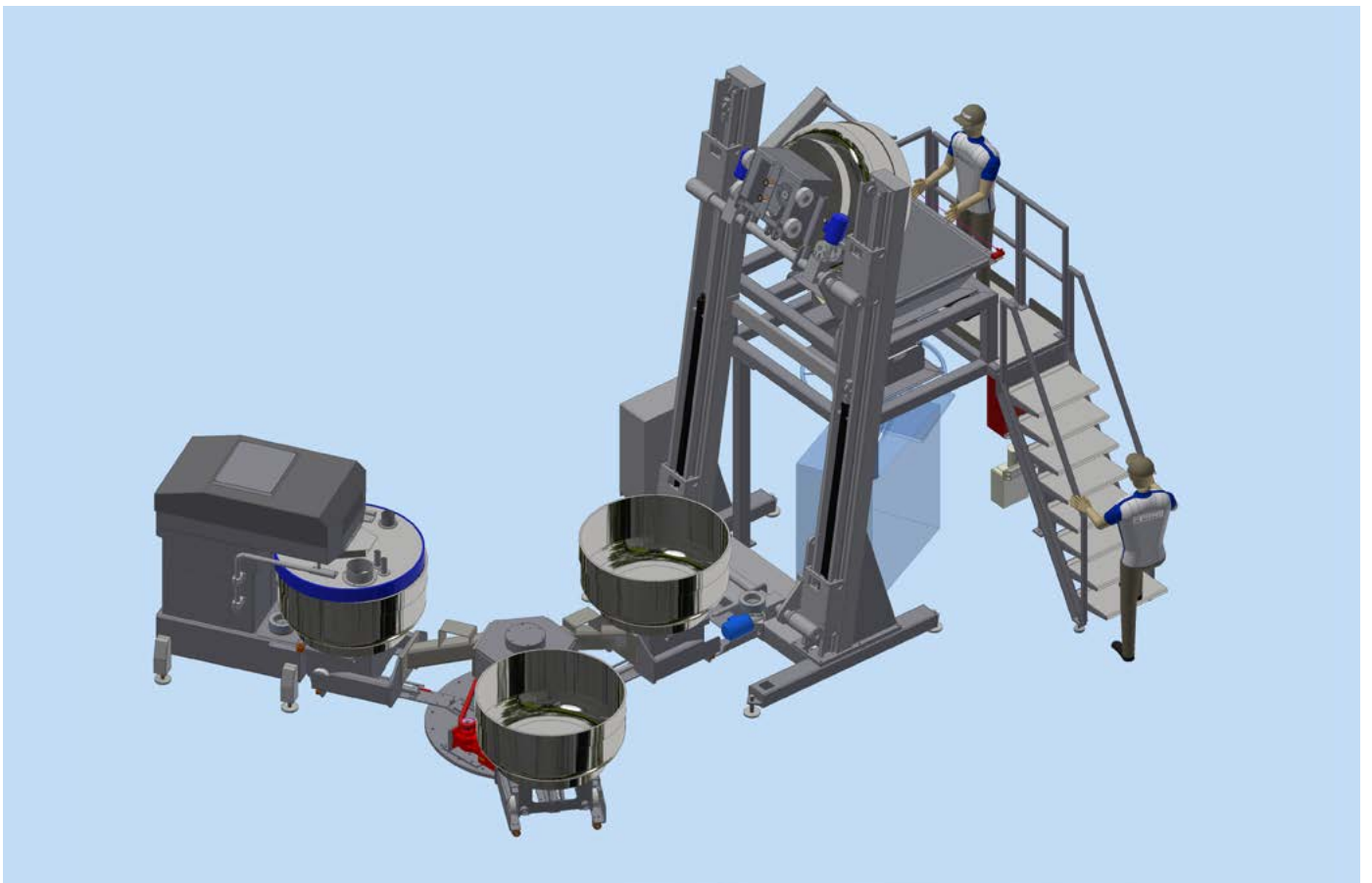
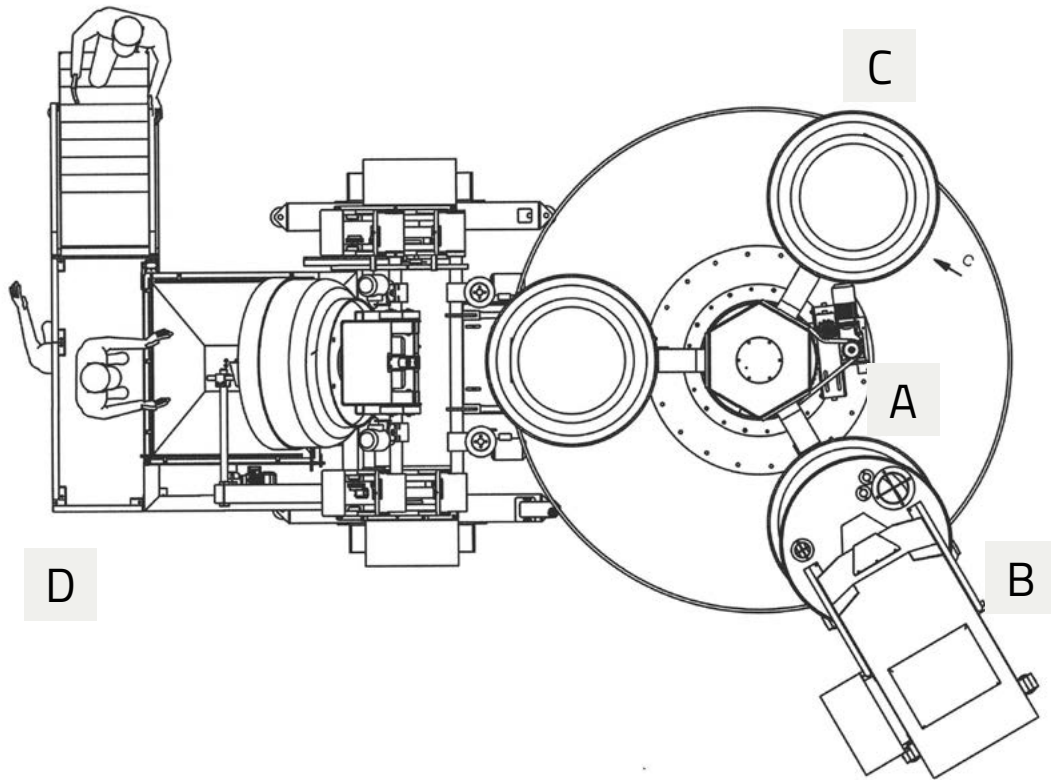
**GENERAL INFORMATION**

- product: bread 
- country: Canada

**PRODUCTION LINE 1500 kg/h OF DOUGH**



# IAR - AUTOMATIC ROTATIVE PLANT



**WORKING STATIONS**

**A INGREDIENTS LOADING**

**B PRO E 300**  
Industrial spiral mixer

**C RESTING POSITION**


**D SDC 300**  
Double column industrial lifter dumper

**E TCS 400**  
Portioning hopper with balcony

**WORKING OPERATIONS**

- loading
- kneading
- discharge phases

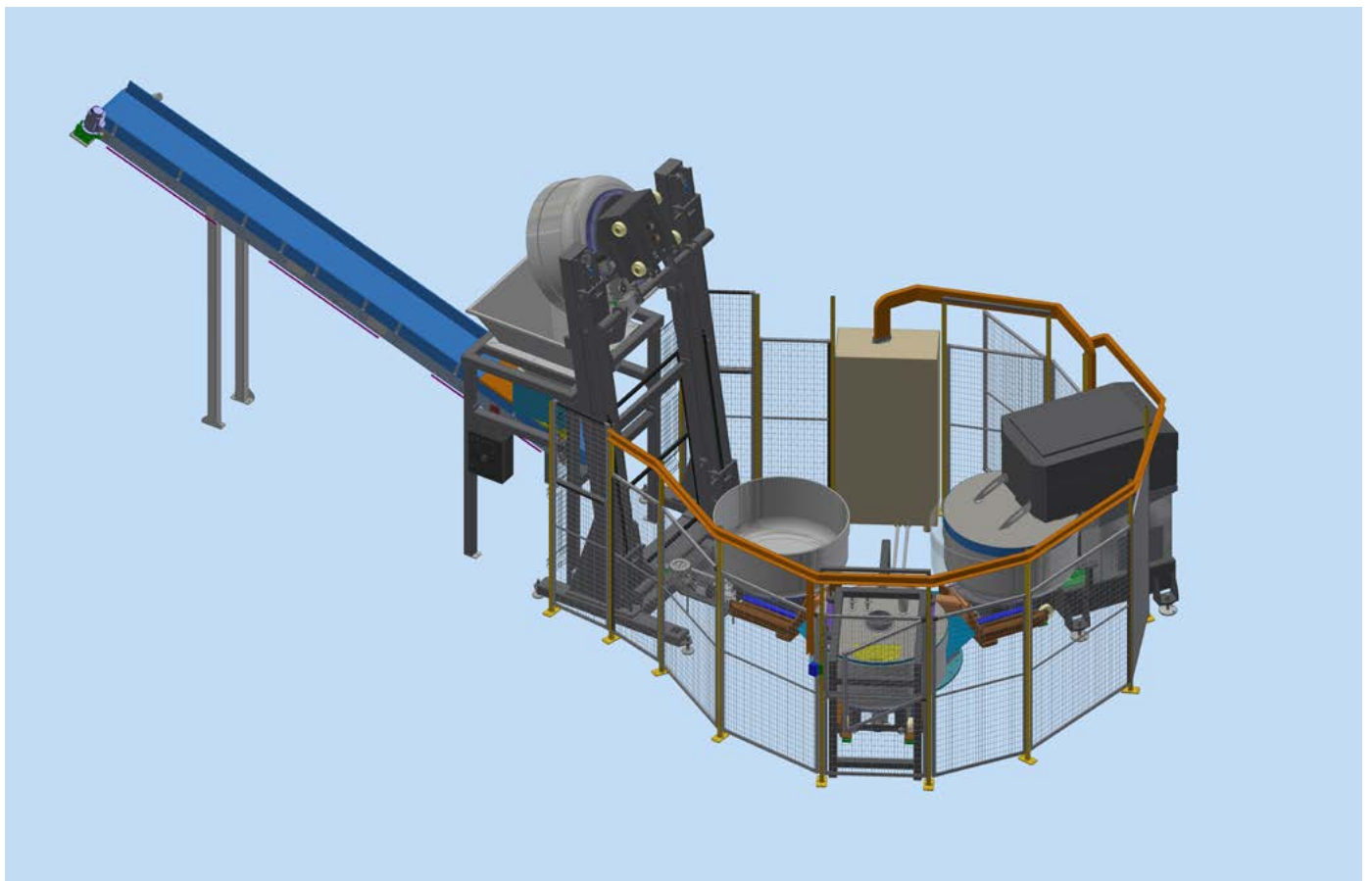
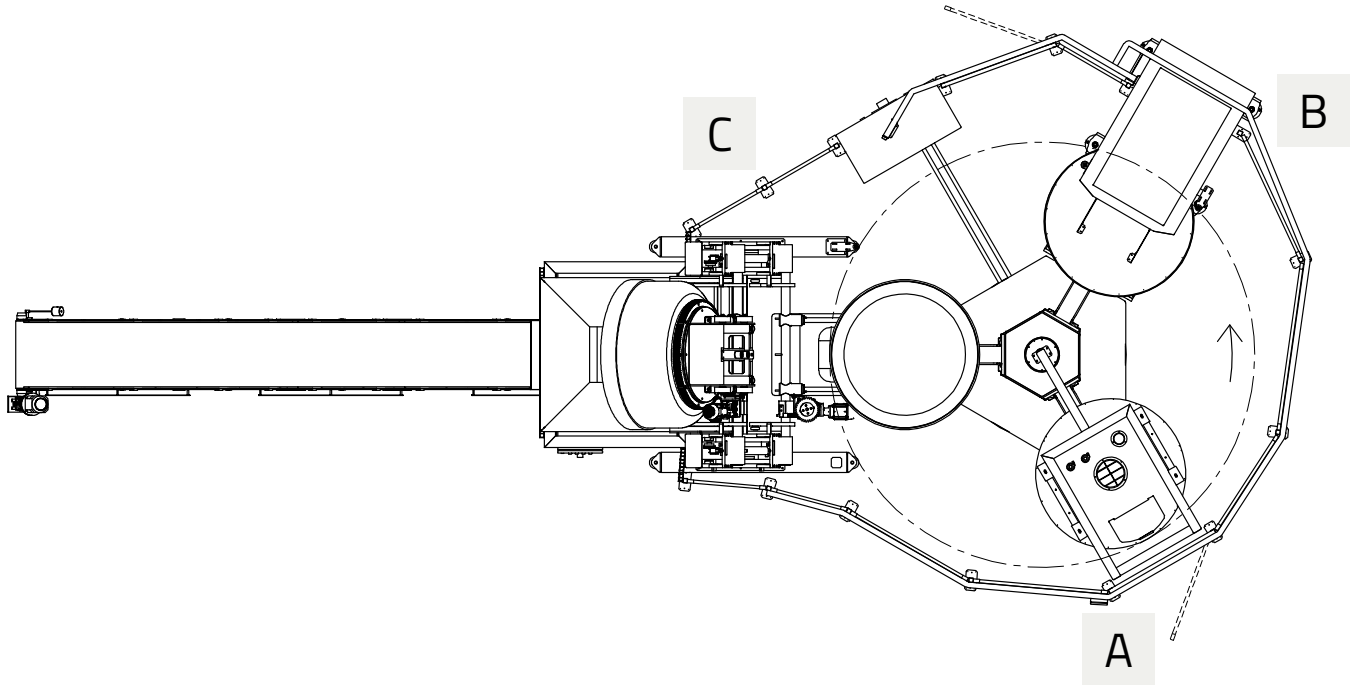
**GENERAL INFORMATION**

- product: bread 
- country: Czech Republic

**PRODUCTION LINE 1500 kg/h OF DOUGH**



# IAR - AUTOMATIC ROTATIVE PLANT



**WORKING STATIONS**

**A** **INGREDIENT LOADING**

**B** **AVANT FORCE 550**  
Double spiral mixer

**C** **SDC 300**  
Double column lifter

**WORKING OPERATIONS**

- loading
- kneading
- discharging

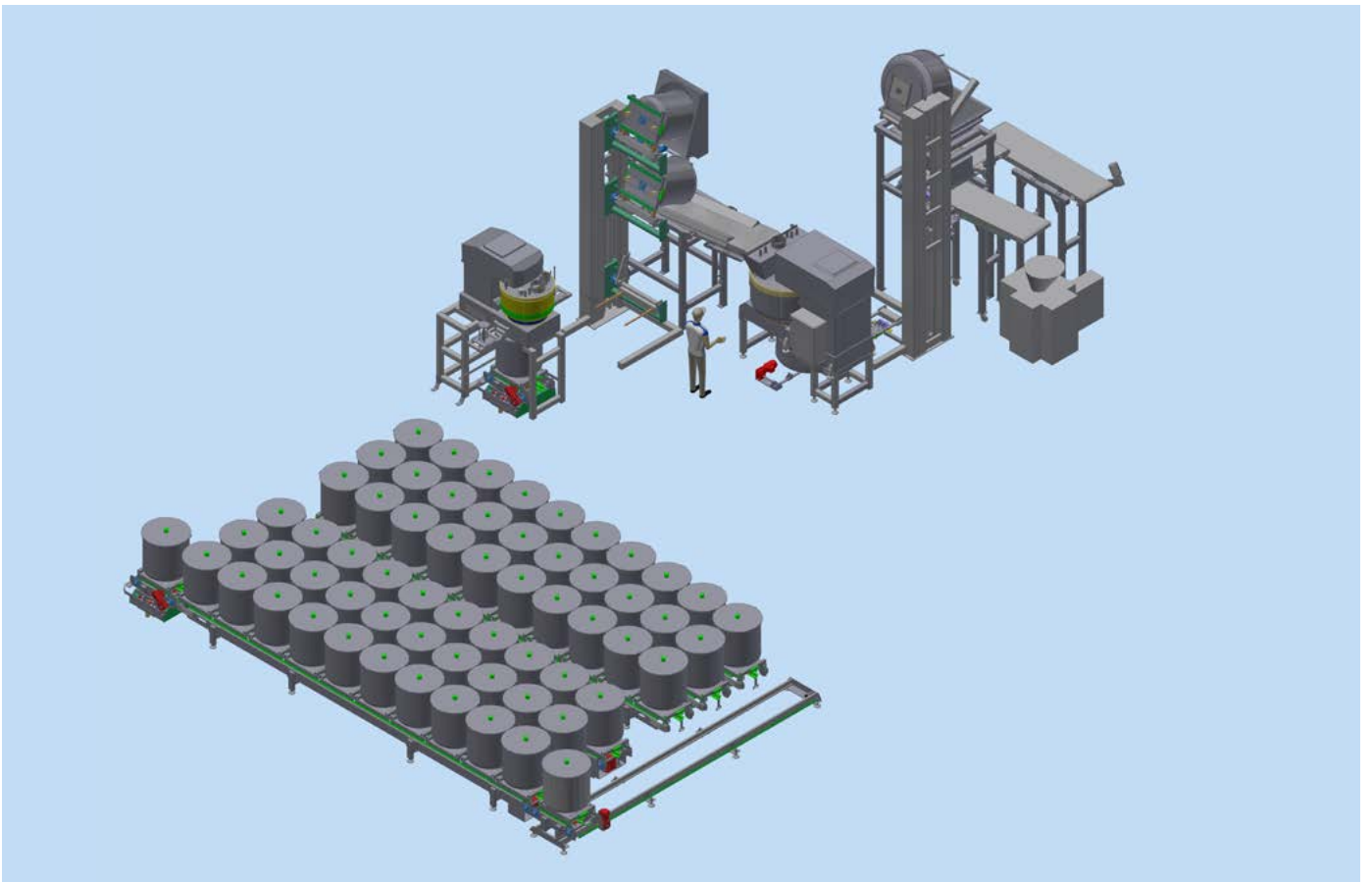
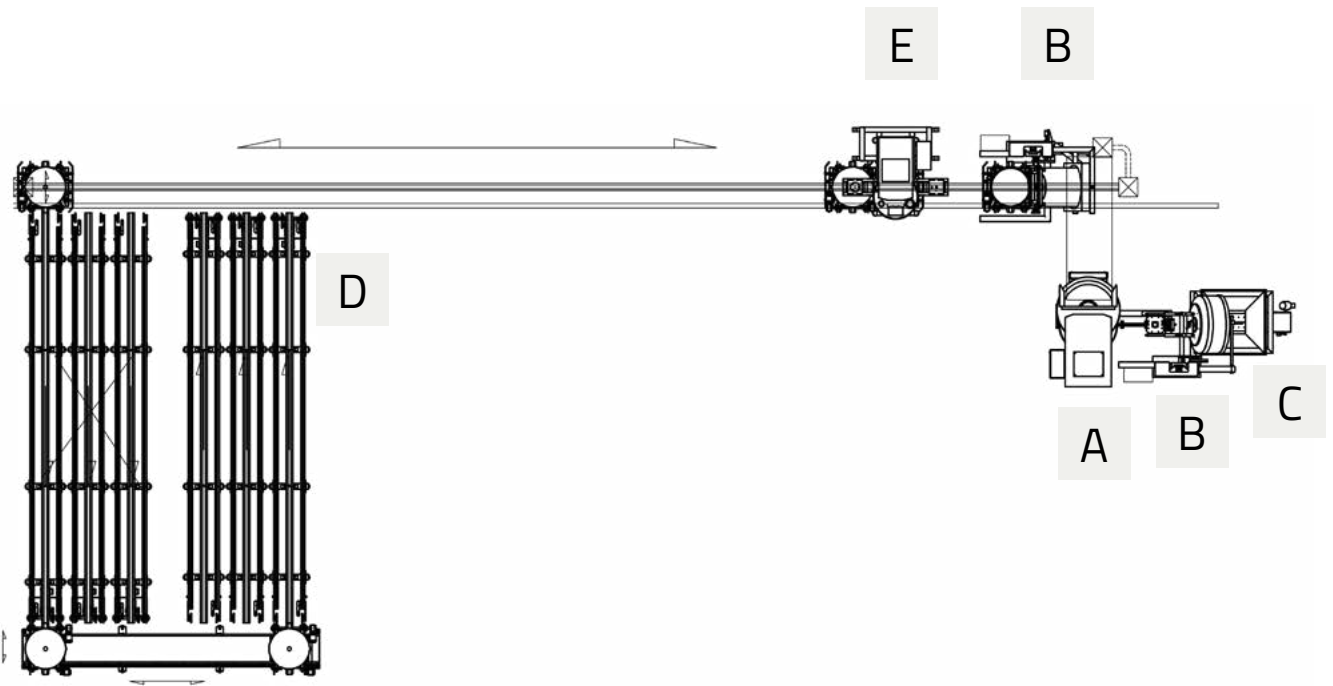
**GENERAL INFORMATION**

- product: wraps  
and tacos 🌮
- country: Russia

**PRODUCTION LINE 2500 kg/h OF DOUGH**



# LONG LEAVENING PLANT



**WORKING STATIONS**

- A AVANT FORCE V 500**  
double spiral mixer
- B BLT 410**  
single column lifter
- C TCX 600**  
hopper
- D LEAVENING BOWLS**
- E PRO.V 200**

**WORKING OPERATIONS**

- kneading
- leavening
- kneading 24 H
- lifting
- portioning

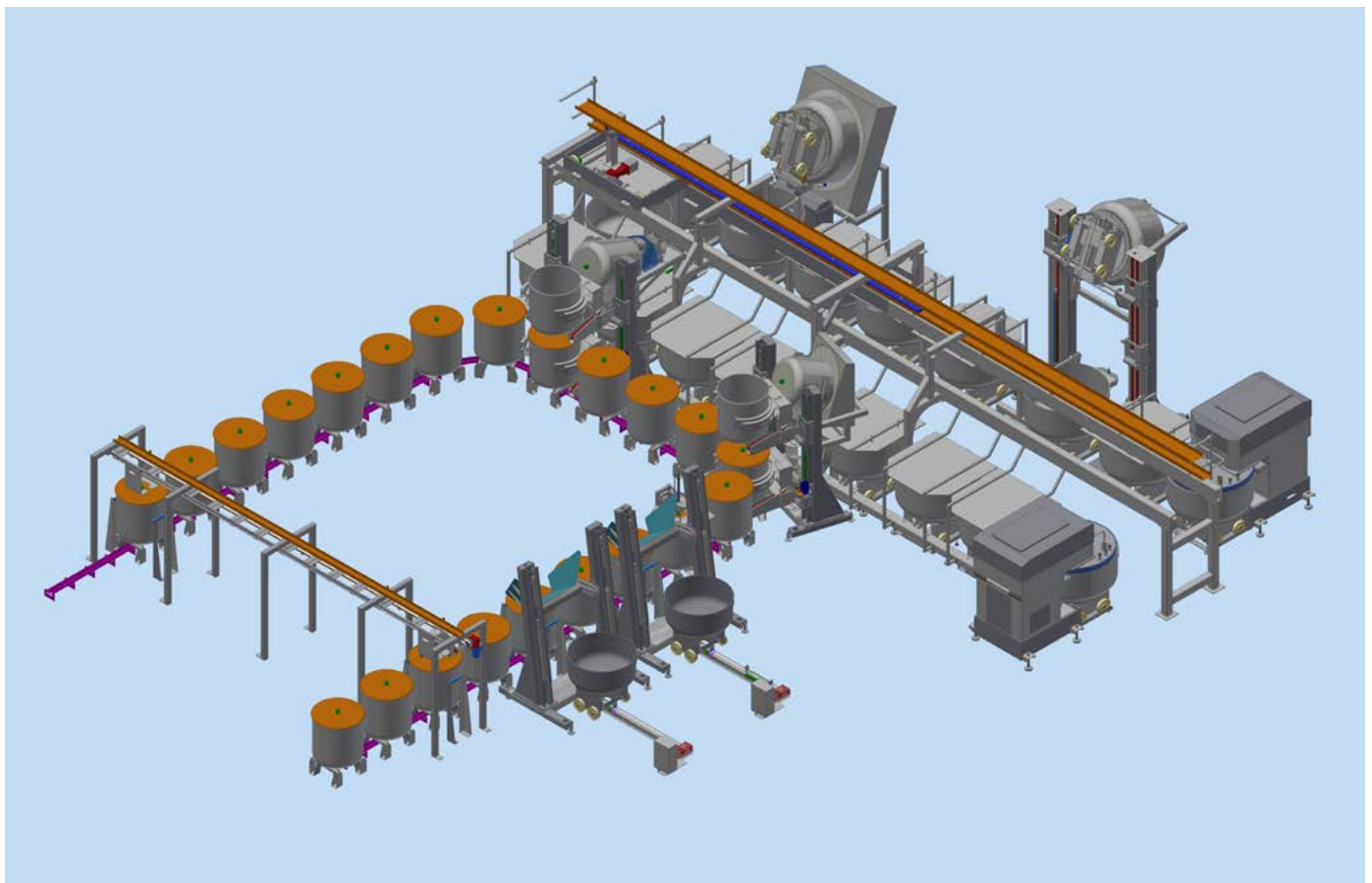
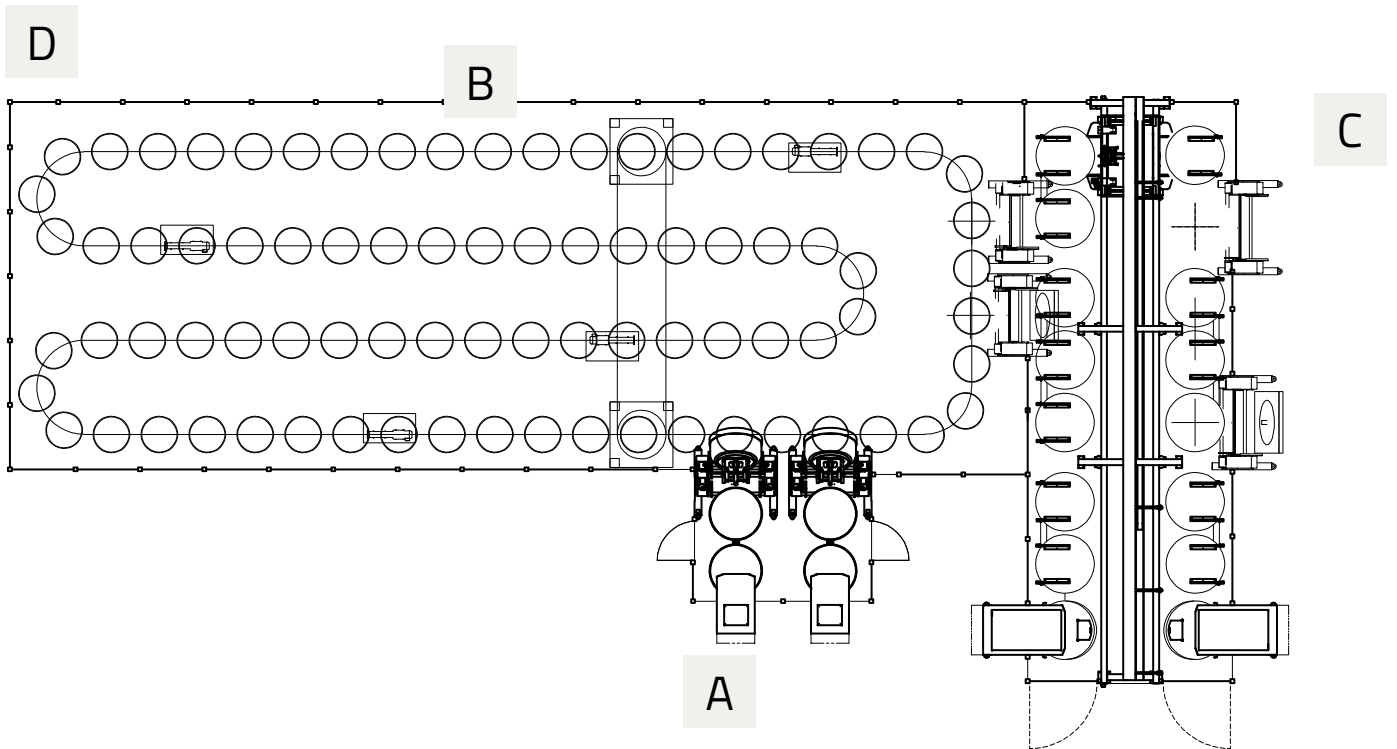
**GENERAL INFORMATION**

- product: pizza 🍕
- country: Italia

**PRODUCTION LINE 3400 kg/h OF DOUGH**



# EASY DRIVER + LONG LEAVENING PLANT + AUTOMATIC LINEAR PLANT





**WORKING STATIONS**

**A EASY DRIVER:**  
**AVANT FORCE 400** Double spiral mixer  
**CONVEYOR**  
**SDC 180** Double column lifter

**B ILL:**  
**BOWL COVEYOR**  
**LEAVENING BOWLS**  
**SDC 180** Double column lifter  
**SDC 180** Double column lifter with bowl cleaning system



**C IAL**  
**AVANT FORCE 800** double spiral mixer  
**LEAVENING BOWLS**  
**SDC 350** Double column lifter  
**SDC 180** Double column lifter with bowl cleaning system

**D PROTECTION ALONG THE PLANT WITH ACCESS DOOR**

**WORKING OPERATIONS**

- kneading
- conveying
- discharging
- leavening
- cleaning

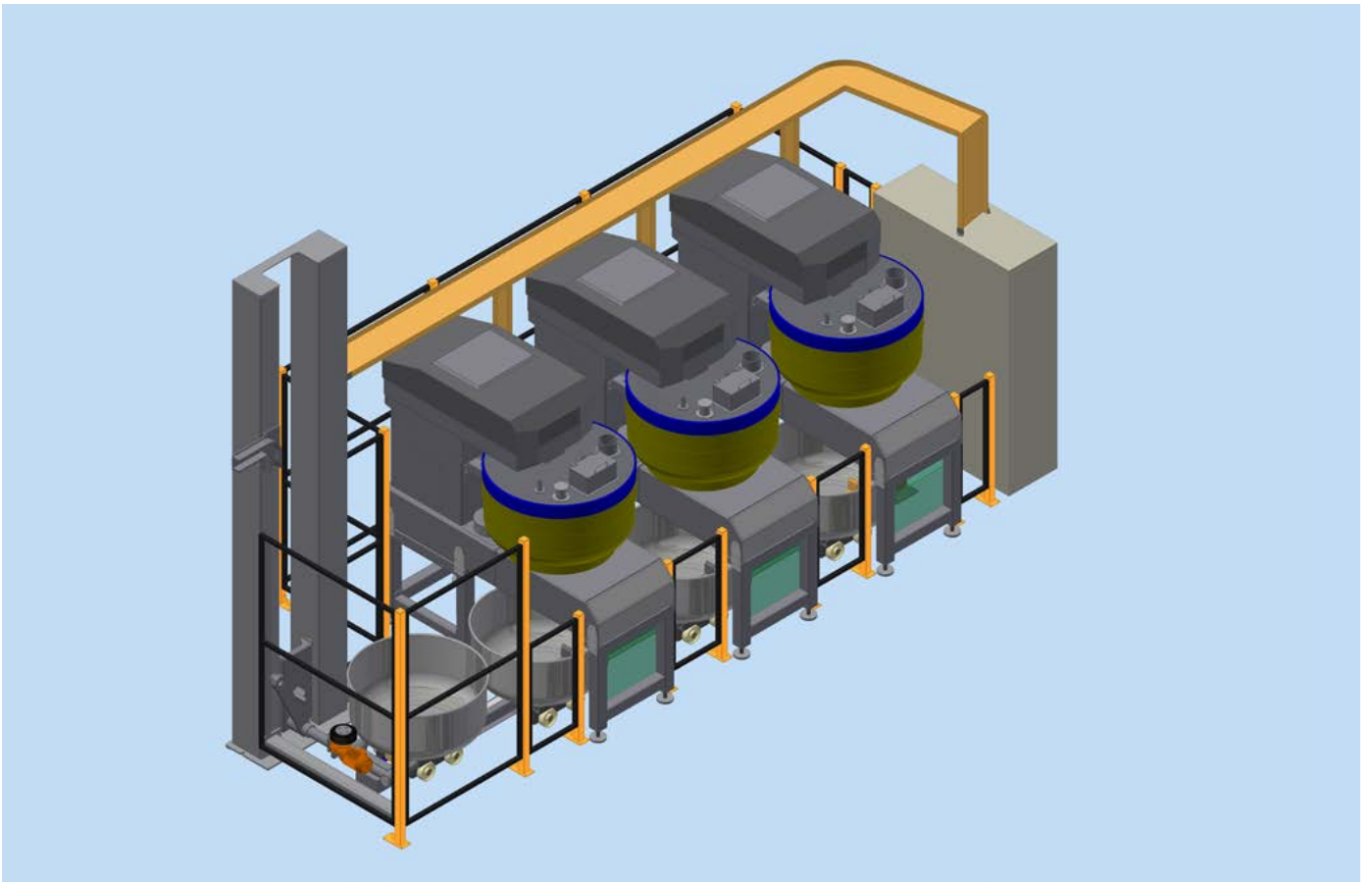
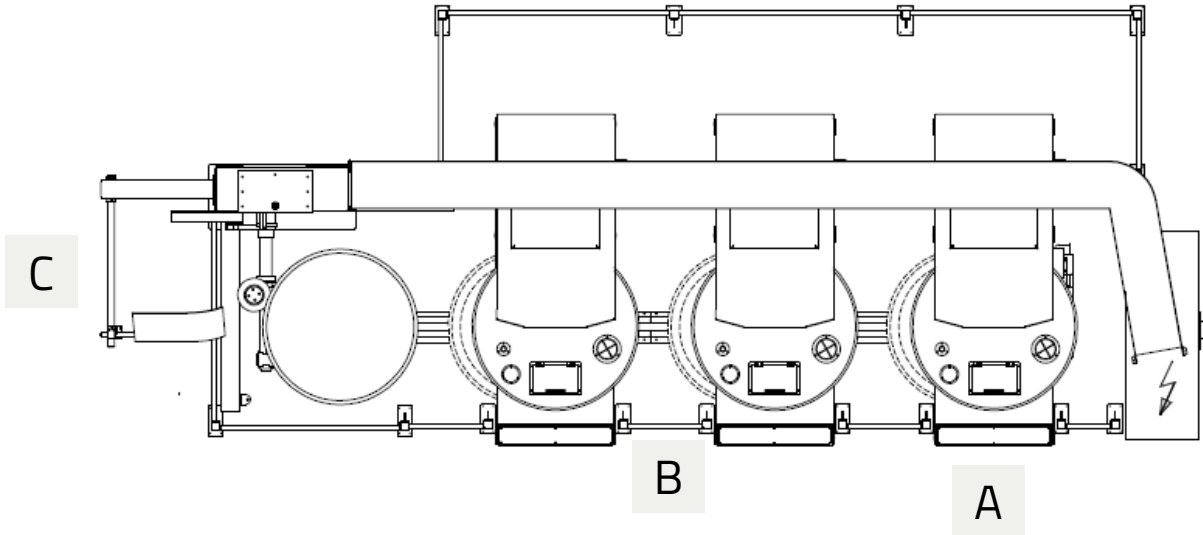
**GENERAL INFORMATION**

- product: bread and crackers  
- country: Russia

**PRODUCTION LINE 3900 kg/h OF DOUGH**



# VACUUM – BOTTOM DISCHARGE




**WORKING STATIONS**

- A** **PRO.V 300** single spiral mixer with automatic discharging on bottom of bowl
- B** **BOWL CONVEYOR**
- C** **BLT 300 V + BOWL TROLLEY**  
single column lifter

**WORKING OPERATIONS**

- kneading
- discharging
- conveying
- lifting

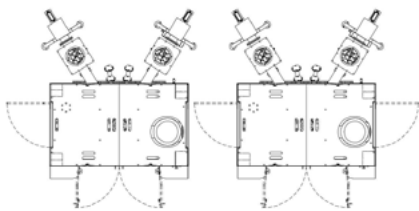
**GENERAL INFORMATION**

- product: bread  
"pan bauletto" 
- country: Brazil

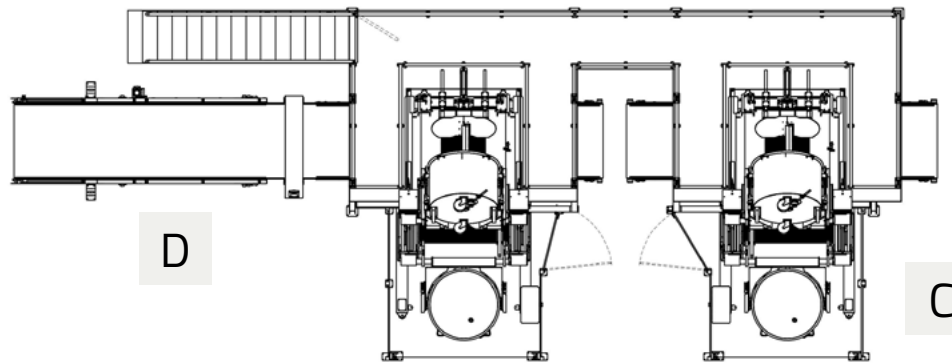
**PRODUCTION LINE 3800 kg/h OF DOUGH**



# PLANETARY MIXER + LIFTER + CONVEYOR BELT



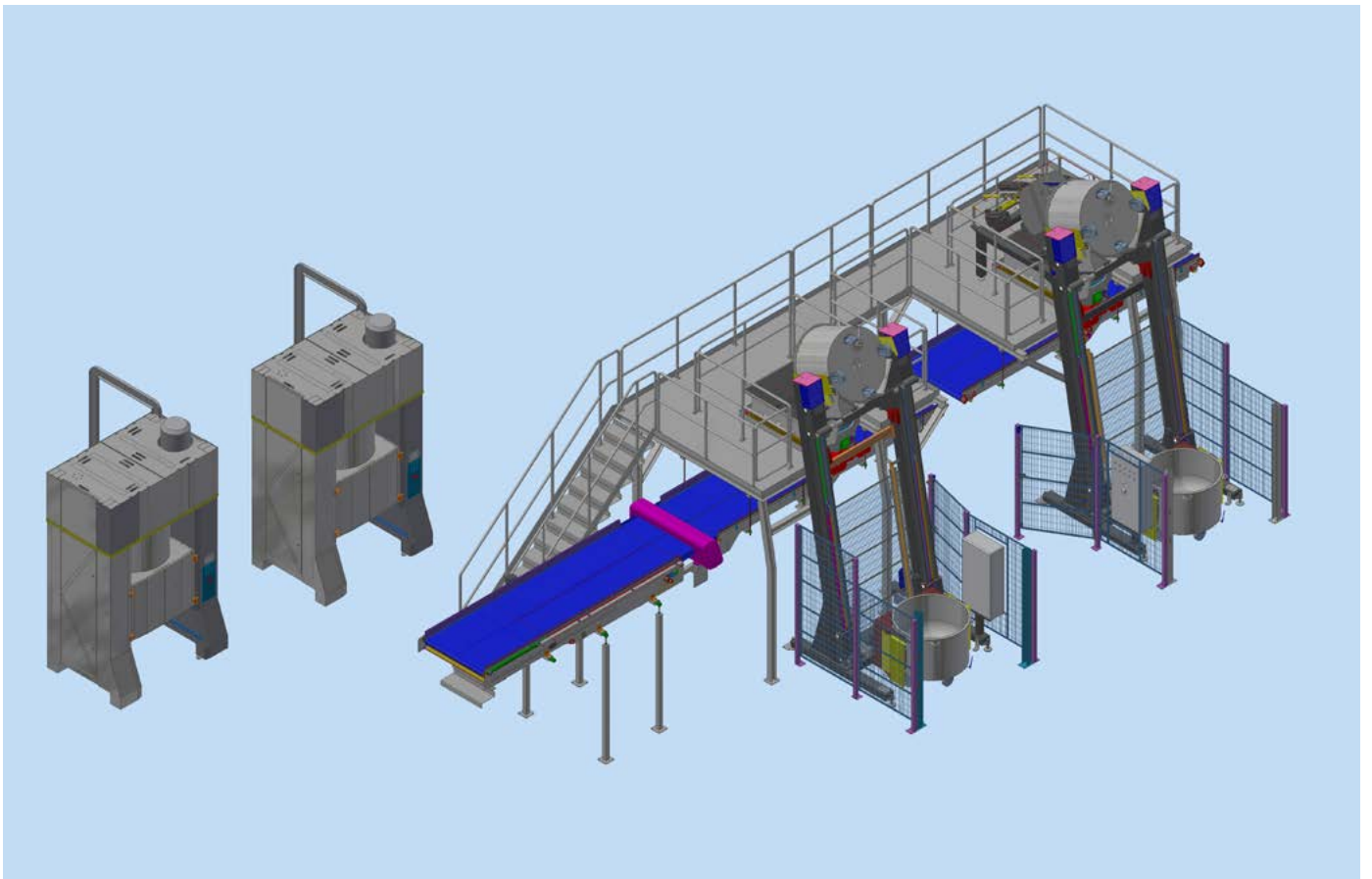
A



D

B

C



**WORKING STATIONS**

- A** **A. MR 600**  
Planetary mixer
- B** **B. SDC 350**  
Double column dumping lifter
- C** **C. TCR 900**  
Hopper
- D** **D. CONVEYOR BELT**

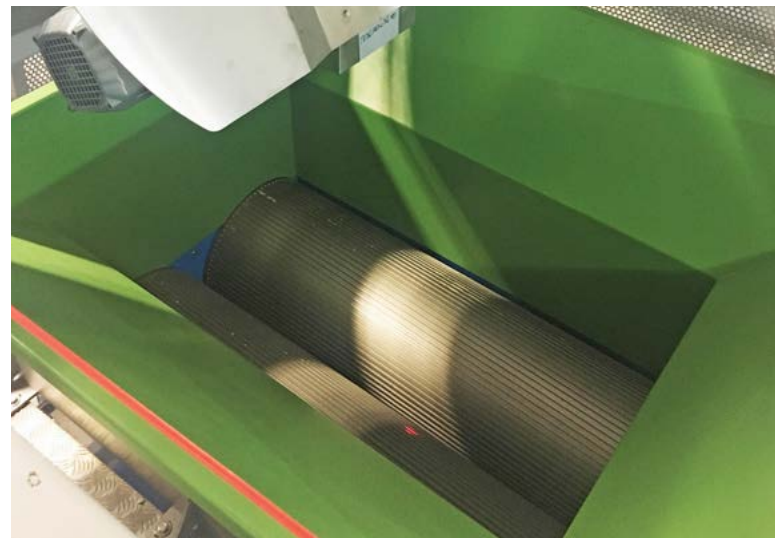
**WORKING OPERATIONS**

- kneading
- lifting
- portioning
- conveying

**GENERAL INFORMATION**

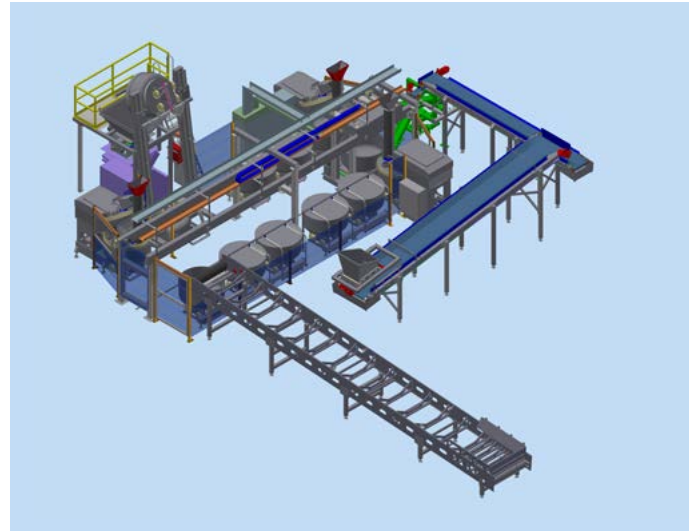
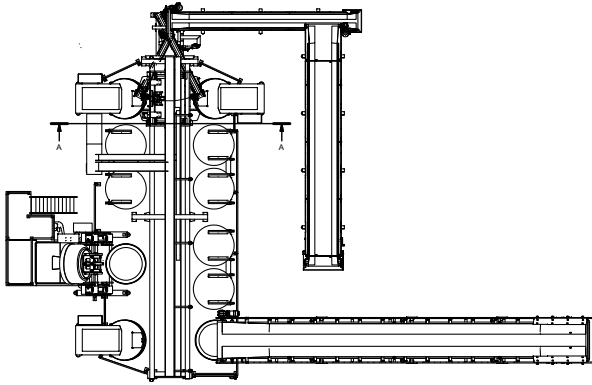
- product: cookies and pastries 🍪 🍩
- country: Italy

**PRODUCTION LINE 1000 kg/h OF DOUGH**

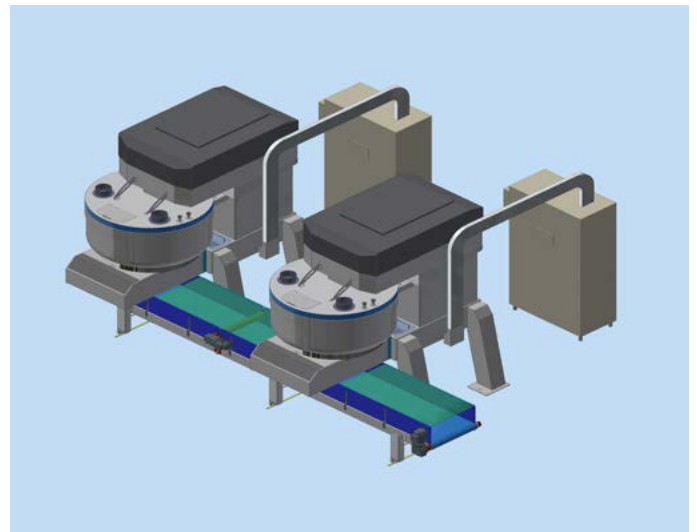
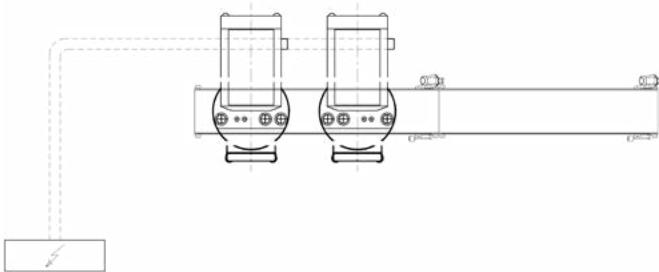


# OTHER SOLUTIONS

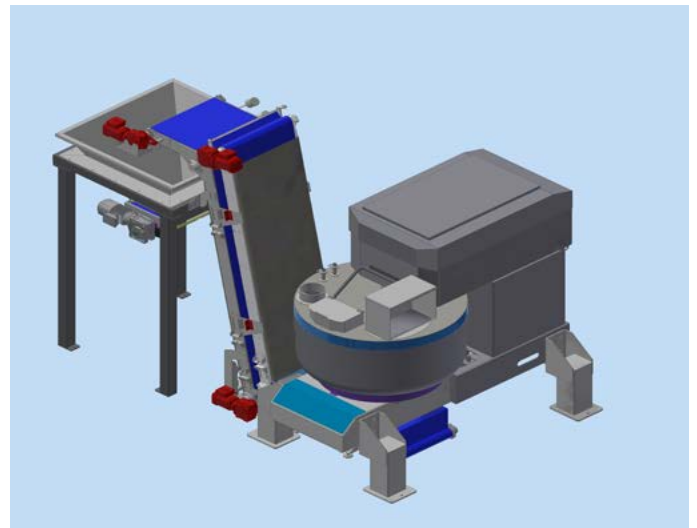
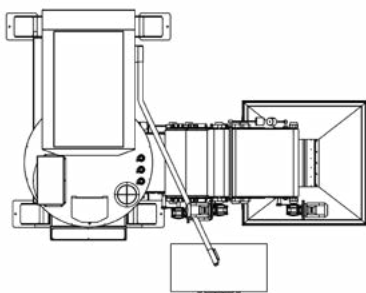
IAL - AUTOMATIC LINEAR PLANT



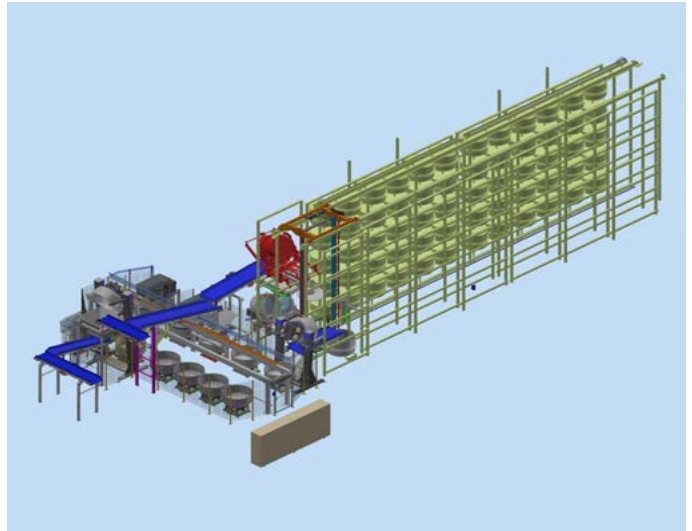
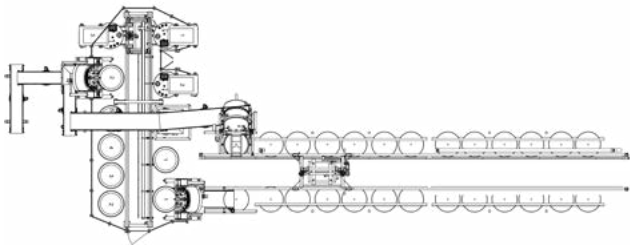
VACUUM



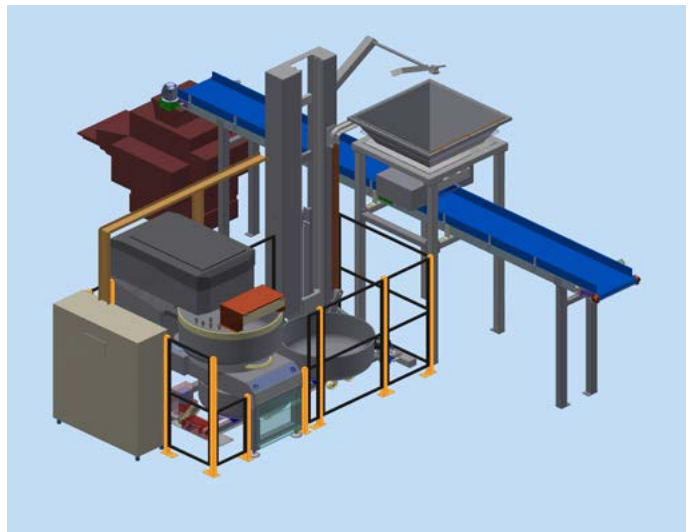
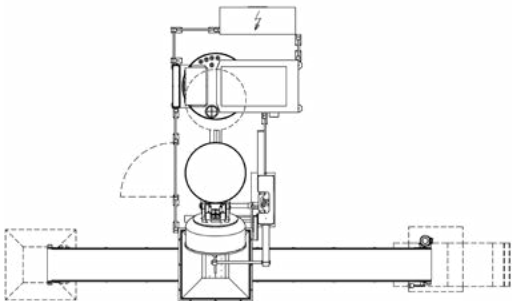
VACUUM + HOPPER



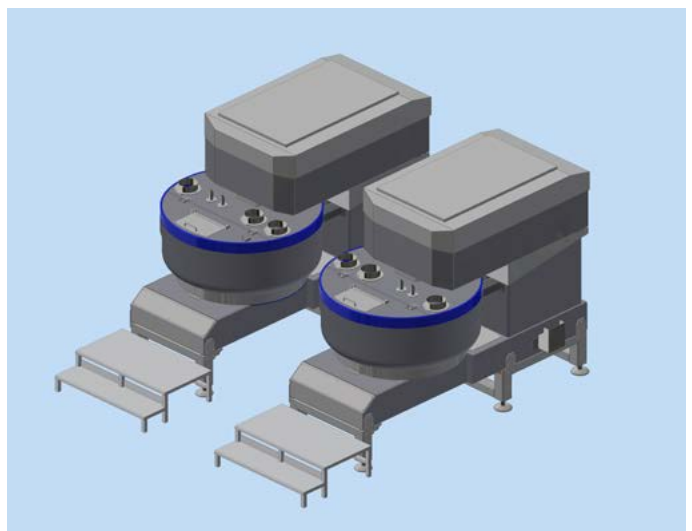
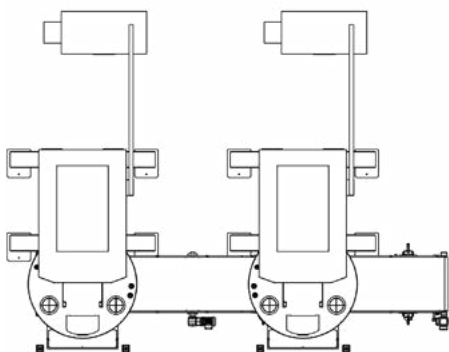
ILV - VERTICAL LINEAR PLANT



VACUUM + LIFTER + HOPPER



VACUUM





**MIXER**  
ART OF MIXING

Mixer Srl - Via del Lavoro, 25 - 36047 Montegalda (VI) Italy  
[www.mixerit.com](http://www.mixerit.com) - [info@mixerit.com](mailto:info@mixerit.com)