

# HOPPER TOPPER Extended

*How do you fill your hoppers? Rev 003*

**The Hopper Topper Extended is our Power Lift model with an extra 8" (20cm) extended lift distance and deeper bowl depth capabilities.**

**The Extended version offers:**

- The ability to draw product directly from the mixing bowl to a hopper by using our elevation-lift technology
- An extremely gentle process of transferring the product by simulating "hand scooping" rather than just suction
- Able to perform non-stop production; no lifting required
- Optical product sensor, which allows the Hopper Topper to run fully automatic or manual
- Quick and easy removal for cleaning

## System Includes

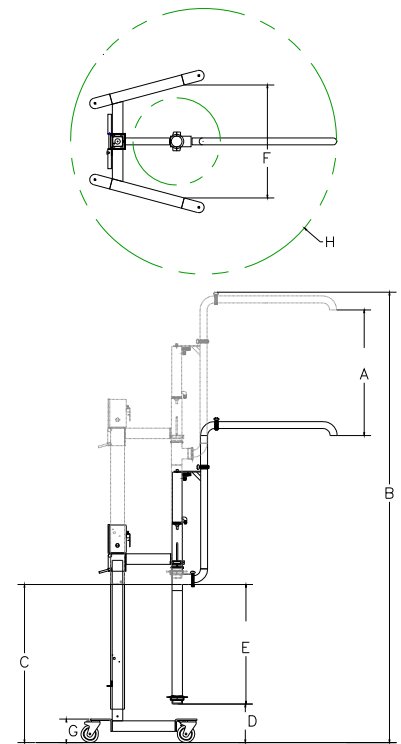
- All stainless steel piston pump unit with 3 inch [76 mm] diameter inlet pipe and 2 inch [50 mm] diameter outlet
- Power Lift feature allows for easy change of mixing bowls
- Start/stop air connection and fitting
- Mobile all stainless steel construction stand with adjustable height to suit customers mixing bowl
- Automatic start/stop hopper level control sensor, enclosed in a NEMA 4X Control Box
- Fits most mixing bowls, including AMF-Glen 340 quart bowls

## Common Applications

- Batter for cakes, muffins, etc.
- Fruit filling for pies and pastries
- Icings, frostings & toppings
- Jams and jellies
- Creams, custards & mousse
- Anything that can be squeezed from a pastry bag!



	Drawing Dimension	Power Lift
<b>Heights</b>		
Lift Distance	A	36"(91cm)
Maximum (Ceiling) Height in Up position	B	129.1" (328cm)
Maximum Bowl rim clearance in Up position	C	45.3" (115cm)
Maximum pump to floor clearance	D	11.1" (28cm)
Distance between Pump inlet and outlet (Maximum Bowl Depth)	E	34.2" (87cm)
<b>Bottom Frame</b>		
Inside Width	F	32.4"(82cm)
Bottom Frame Height	G	6.7"(17cm)
Pipe work reach	H	76"(193cm)



## Shipping Information

Dimensions: 59" x 34" x 22" (150cm x 87cm x 56cm)  
Weight: 250 lbs (113kg)

## Optical Product Sensor (included)



The product sensor turns the Hopper Topper on or off as needed for fully automatic operation. It installs and removes quickly and easily for cleaning. The pump can also be operated manually.

## Performance Specifications



**Speed**  
Variable with Air Pressure Regulator



**Power**  
Air/Electric, 4 CFM @ 100 PSI  
110v 1ph, 1amp **or** 220v  
226.5 ltr/min @ 6.9 Bar



**Volume**  
3 to 13 US Gallons/min.  
11 to 49 litres



**Cube Size**  
Up to 1" cube soft fruit or similar  
Up to 25mm

*Note: Equipment quoted is designed to run at the speeds given, but is dependent on operator efficiency and skill, as well as deposit size and product consistency.*

### Unifiller Systems Inc.

7621 MacDonald Road, Delta, B.C., Canada, V4G 1N3  
Phone: (604) 940-2233 Toll-free: (888) 733-8444 Fax: (604) 940-2195  
[www.unifiller.com](http://www.unifiller.com) Email: [info@unifiller.com](mailto:info@unifiller.com)