

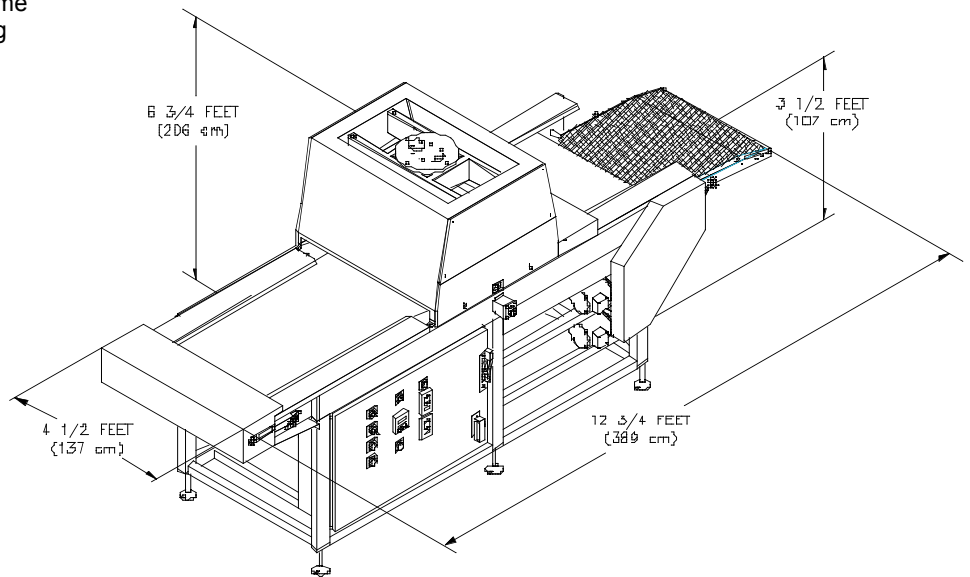
Apache 32x32 Pizza Press

Specifications

* Length	12' 7" / 389cm
* Width	54" / 130cm
* Height	81" / 190cm
* Production Rate (depending on size)	600 - 4800 per hour
* Press Force	Fully adjustable
* Press Time	Fully adjustable
* Temperature Range	0 [∞] - 500 [∞] F
* Press Belt Speed	Fully adjustable
* Discharge Conveyor Speed	Fully adjustable
* Hydraulic Oil Capacity	20 gal / 76 liter
* Shipping Weight	2800 lbs. / 1260kg

Features

- * Many forming dies available including square, rectangular and round shapes up to 16" in diameter (sold separately)
- * Two speed, height adjustable discharge conveyor system for smooth product transfer
- * Approved by the United States Department of Agriculture
- * Fully adjustable heat, pressure and dwell time
- * Fully automatic variable speed belt indexing
- * Greater formula flexibility
- * Made in the U.S.A.
- * No pans necessary
- * All stainless steel cabinet
- * Simplified electrical system
- * One year limited warranty on parts
- * On board hydraulic system
- * Can produce flat or rim style crusts
- * Solid state time and temperature controls
- * Mounted on casters



Electrical Requirements

- * 208-230 volt / 3 phase / 60 Hz / 150 amp
- * 480 volt / 3 phase / 60Hz / 70 amp
- * 110 volt single phase control circuit