

Placing and tamping graham and similar crumbs consistently into your cheesecake pans and aluminum foils can be a labor intensive and inconsistent task.

To make this task more efficient and more consistent, **UNIFILLER** offers the Cheesecake crumb spin station.

Unifiller Systems is the world leader in fully automated cheesecake production system. The manual cheesecake crumb spin station uses the same proven components.

### Benefits:

- Fast, consistent spinning of crumbs
- Available tooling for spinning crumbs bottom only or also up the sides
- High speed production rates
- Ability to work with cheesecake pans as well as aluminum foils
- Tool free, quick tooling change in 1 – 2 minutes
- Compatible with cheesecake pans from 5" – 10" diameters
- Ability to incorporate module into an automated cheesecake line in the future

### Features:

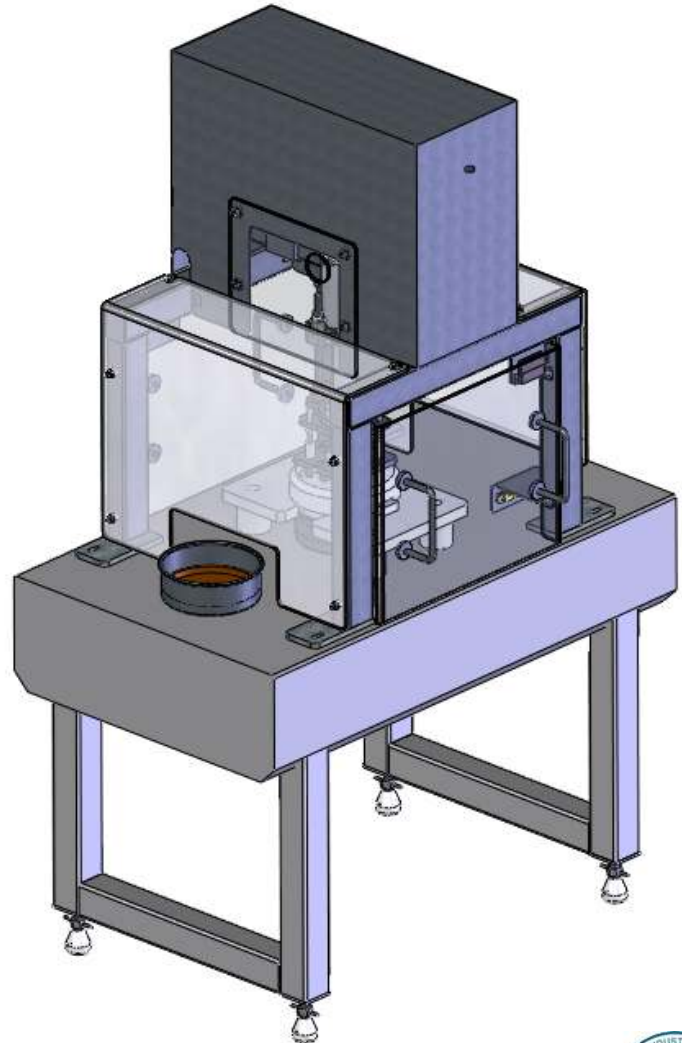
- Solid stainless steel production system
- Simple operation with fewest adjustments
- Minimal sanitation and maintenance requirements

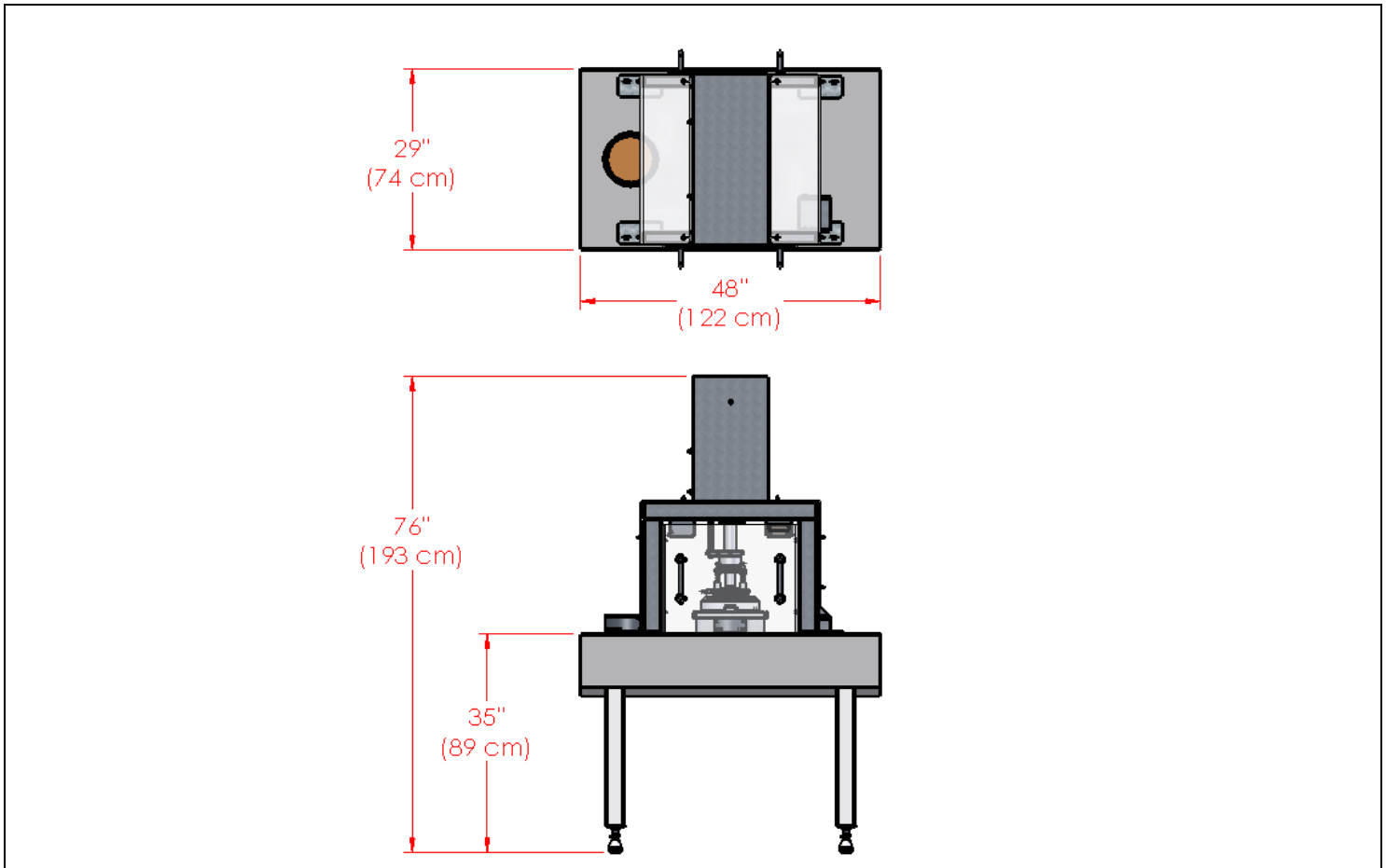
### System includes:

- One set of quick change tooling
- Optional "bell" mechanism and tooling for foil pans

## Manual Cheesecake and Pie Shell Crumb Spin Station

Tamp and spin crumbs efficiently into your pans and aluminum foils





## Shipping Information

Dimensions:





40" x 55" x 85"

(101 cm x 140 cm x 216 cm)

Weight:

375 lbs (170kg)

## Performance Specifications

	<b>Speed</b> Up to 20 cycles / min based on deposit size, product consistency and operator efficiency.		<b>Power</b> <b>Air:</b> 4 CFM @ 80PSI (113 liter /min @ 6.9 Bar) <b>Electric:</b> 220 V AC, Single Phase 10 A
	<b>Pan Sizes</b> 5" = 10"		<b>Crumb Compatibility</b> Most types of Graham, Oreo and similar crumbs that are typically tamped into pans and foils.

**Note:** Equipment quoted is designed to run at the quoted speed and is dependent on operator efficiency, skill, and deposit size and product consistency.

### Unifiller Systems Inc. North America

Head Office Canada  
Phone: (604) 940-2233  
Email: [info@unifiller.com](mailto:info@unifiller.com)  
Website: [www.unifiller.com](http://www.unifiller.com)

### Unifiller Systems UK Ltd.

United Kingdom  
Phone: 01604 499846  
Email: [uk@unifiller.com](mailto:uk@unifiller.com)  
Website: [www.unifiller.com](http://www.unifiller.com)

### Unifiller Systems Europe GmbH

Germany  
Phone: +49 7621 583 6310  
Email: [info@unifiller-europe.com](mailto:info@unifiller-europe.com)  
Website: [www.unifiller-europe.com](http://www.unifiller-europe.com)