

This **Entry Level Filler**, the **ELF400** is designed as a little work horse! Your little helper! The **ELF 400** will ensure you get precise portion control quickly, and can be completely disassembled for cleaning in seconds.

Your little helper, the **ELF 400** is always there when you need him, he never complains, gets tired or takes days off!

Benefits:

- Very small footprint. Fits conveniently on any table or counter
- Speed and portion accuracy
- Solid Stainless Steel construction throughout
- Rugged, durable Design
- Full wash down, all food contact parts dishwasher safe
- Tool free, quick cleaning and change-over design
- Deposit range 0.3 oz (10 ml) to 14.1 oz (419 ml)

Features:

- Volumetric depositing
- 3 Product Cylinder sizes available to meet your portion requirements
- 6.5 US Gallon (24 liter) conical hopper

Three available Base Systems:




- ELF Basic Spout
- ELF Handheld Nozzle
- ELF Injection Nozzle

ELF 400

Small, Practical, Fast, Efficient,
Accurate



The ELF 400 is available in three Base Packages

	ELF Basic Spout	ELF Handheld Nozzle	ELF Injection Nozzle
Hopper Size	6.5 US Gal (24 Liter)	6.5 US Gal (24 Liter)	6.5 US Gal (24 Liter)
Product Cylinder	3"	2.5"	1.5"
Nozzle	Extended Spout Nozzle with Tip Adaptor Kit	Handheld Nozzle with powered cut-off and 1.2 meter flexible hose	Dual Injection Nozzle
Deposit Signal	Foot Pedal	Hand Nozzle	Foot Pedal
Best used for	Soft and stiff Batters, Fillings and Creams	Soft Batters, Fillings, Creams and Liquids	Smooth Creams
Visual			

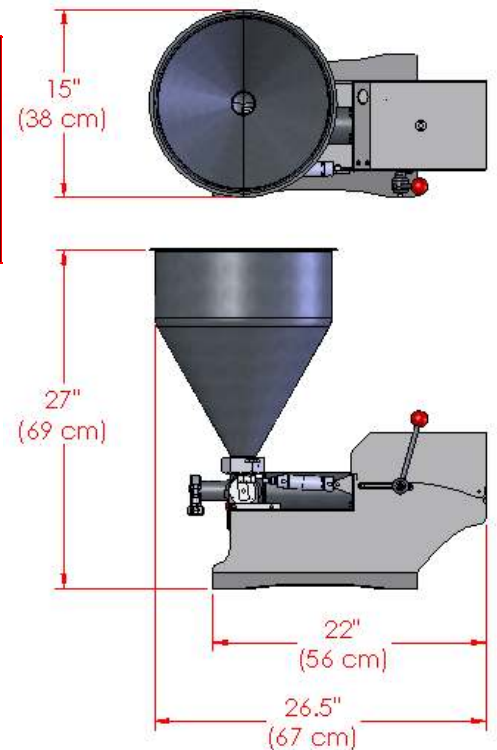
A selection of other Product Cylinders, Nozzles and Accessories can be added to the base packages. All base packages include a Spares Parts Kit, Manual and Quick Start Guide

Product Cylinder Size	DEPOSIT VOLUME (fl oz)			
	Min		Max	
3"	1.8 oz	(53 ml)	14.1 oz	(419 ml)
2.5"	0.8 oz	(24 ml)	9.6 oz	(285 ml)
1.5"	0.3 oz	(10 ml)	3.2 oz	(95 ml)

Specifications

Speed Up to 140 deposits/min (8400 deposits/hr) based on deposit size and consistency.	Power 3 – 5 CFM @ 80PSI, 85-141.5 liters per minute @ 5.5 Bar.
Particle Size Up to 3/4" cube (19mm)	Machine Weight: 40 lbs (18.2kg) Shipping Weight 50 lbs (22.7 kg) Shipping Dimensions: Height 31" (79 cm), Width 15" (38 cm), Length 25.5" (65 cm)

Note: Equipment quoted is designed to run at the quoted speed and is dependent on operator efficiency, skill, and deposit size and product consistency.



Unifiller Systems Inc. North America

Head Office Canada
Phone: (604) 940-2233
Email: info@unifiller.com
Website: www.unifiller.com

Unifiller Systems UK Ltd.

United Kingdom
Phone: 01604 499846
Email: uk@unifiller.com
Website: www.unifiller.com

Unifiller Systems Europe GmbH

Germany
Phone: +49 7621 583 6310
Email: info@unifiller-europe.com
Website: www.unifiller-europe.com