

**NORMAL**

**MULTIDROP®**

**MODEL  
“Classic”**



Multidrop® is a depositor, a dosing machine and a wire cut machine.

Thanks to the 100 programs computer with LCD you can make a wide range of biscuits and confectionery products. -  
Brasilians - Champagne biscuits - Shortbread Dough - Shortcakes - Ciambelline - Danish cookies - Sables - Amaretti - Soft  
amaretti - Macarons - Petit fours - Baci di dama - Brutti e buoni - Coconut biscuits - Canestrelli - Occhi di bue - Chocolate  
chip cookies - Krumiri - Gingerbread - Offelle - Cantucci - Ricciarelli - Kipfels - Novellini - Palets.\*

\* this list only includes the most popular products

#### **ALL THE MULTIDROP® CLASSIC NORMAL ARE EQUIPPED WITH:**

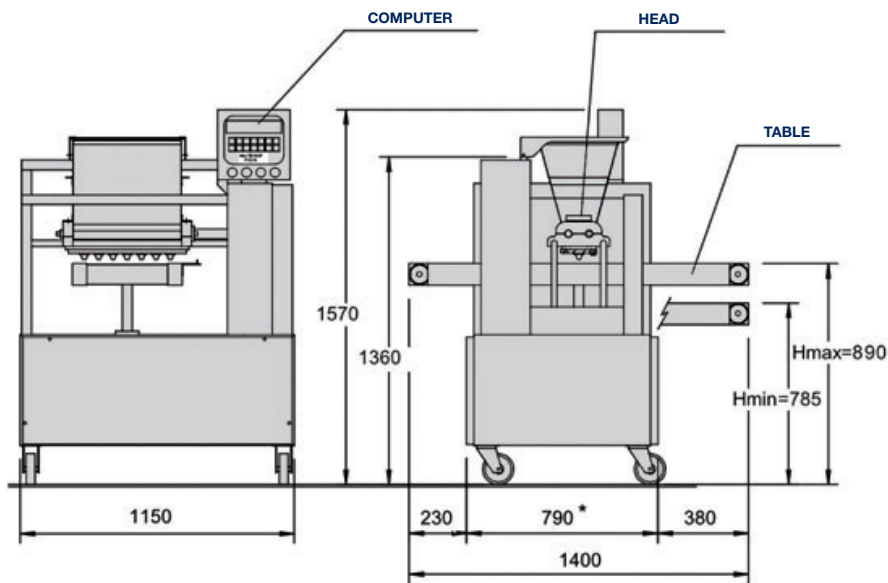
- STAINLESS STEEL STRUCTURE AND ROTATING WHEELS WITH BRAKE
- EASILY DETACHABLE TABLE.
- HEAD EASY TO DISASSEMBLE AND WASH.
- HEAD WITH STAINLESS STEEL ROLLERS, WITH ADAPTORS FOR HARD AND SOFT DOUGHS.
- WIDTH OF THE HEAD SUITABLE FOR WORKING WITH TRAYS WITH WIDTHS OF 400 TO 460 AND FROM 600 TO 660 MM.
- POSSIBILITY OF FITTING DIFFERENT HEADS BASED ON THE PRODUCTS.
- COMPUTER WITH 100 PROGRAMS WITH LCD AND LIGHT ADJUSTMENT
- MOTOR WITH INVERTER FOR ROLLER ROTATION
- MOTOR FOR NOZZLE ROTATION (NR-NL ONLY).
- MOTOR FOR TABLE LIFTING WITH SERVOASSISTED POSITIONING.
- MOTOR WITH INVERTER FOR AUTOMATIC TRAY ADVANCING.
- MOTOR FOR ACTIVATION OF WIRE CUTTING (NL ONLY).
- “CE” COMPLIANCE CERTIFICATE.



45 Garema Circuit, Kingsgrove NSW 2208 Australia  
t. +61 2 9740 5122 f. +61 2 9740 5237  
e. info@rvo.com.au




DIMENSION (mm):

## Multidrop® Classic Normal NE - NR - NL



\*MINIMUM DIMENSION WITH TABLE REMOVED FOR DOOR PASSAGE

TRAY DIMENSIONS, TECHNICAL DATA, PERFORMANCE AND PACKAGING PER MODEL:

| Multidrop® Classic Normal NE - NR - NL |   |                  |           |           |           |           |     |
|--|---|------------------|-----------|-----------|-----------|-----------|-----|
| Models:                                | NE  |                  | NET       |           | NR        |           |     |
| <b>TRAY DIMENSIONS</b>                 |   |                  |           |           |           |           |     |
| Width (mm)                             | 400 - 460   | 600 - 660        | 400 - 460 | 600 - 660 | 400 - 460 | 600 - 660 |     |
| Length (mm)                            | 400 - 800   |                  |           |           |           |           |     |
| <b>TECHNICAL DATA</b>                  |   |                  |           |           |           |           |     |
| Standard voltage (Volt)                | 400/3N~/50  |                  |           |           |           |           |     |
| Optional voltage (Volt)                | 230/3~/50 - 220/3~/60   |                  |           |           |           |           |     |
| Power (kW)                             | 1,37  | 1,37             | 1,62      | 1,62      | 1,71      | 1,71      |     |
| Weight (Kg)                            | net   | 300              | 305       | 310       | 315       | 320       | 325 |
| Hopper capacity (Litres)               | 35  | 50               | 35        | 50        | 35        | 50        |     |
| Noise level (dB)                       | <80   |                  |           |           |           |           |     |
| <b>PERFORMANCE</b>                     |   |                  |           |           |           |           |     |
| RPM (max cycles/1')*                   | 20  |                  | 20        |           | 20        |           |     |
| Wire cut (max cycles/1')*              |   |                  |           |           |           | 30        |     |
| <b>DIMENSIONS AND WEIGHTS</b>          |   |                  |           |           |           |           |     |
| Packaging (mm)                         |  | 1550x1300xh=1750 |           |           |           |           |     |
| Packaging (Kg)                         | gross   | 480              | 485       | 490       | 495       | 500       | 505 |
| Packaging (mm)                         |  | 1600x1350xh=1800 |           |           |           |           |     |
| Packaging (Kg)                         | gross   | 550              | 555       | 560       | 565       | 570       | 575 |
| Packaging (mm)                         |  | 1500x1250xh=1450 |           |           |           |           |     |
| Packaging (Kg)                         | gross   | 460              | 465       | 470       | 475       | 480       | 485 |

\*Related to an average rollers rotation time of approx. 1 second.

### EQUIPMENT: HEADS



Roller head for hard dough



Roller head for “American” type hard dough



Pump head for soft dough



Pump head for soft dough, with alternating teeth gears

### EQUIPMENT: ACCESSORIES



Dies and nozzles



Paper holding device



Squashing tips device



Memory card and Cd Proges Software