

The **Deco-Bot** is the world's first robotic decoration station capable of decorating cakes and cupcakes instantly. Write, draw, drizzle or decorate cakes with roses OR finish cupcakes with swirls, rosettes and roses.

The Deco-Bot

The Compact Robotic
Decoration Station

Benefits:

- World first automated rose decorator
- Two color decorating heads/nozzles
- Easy Wash Down
- Quick tooling / nozzle changeover go from one product to another in minutes
- Built in flexibility, same unit can do many designs
- Mobile

Features:

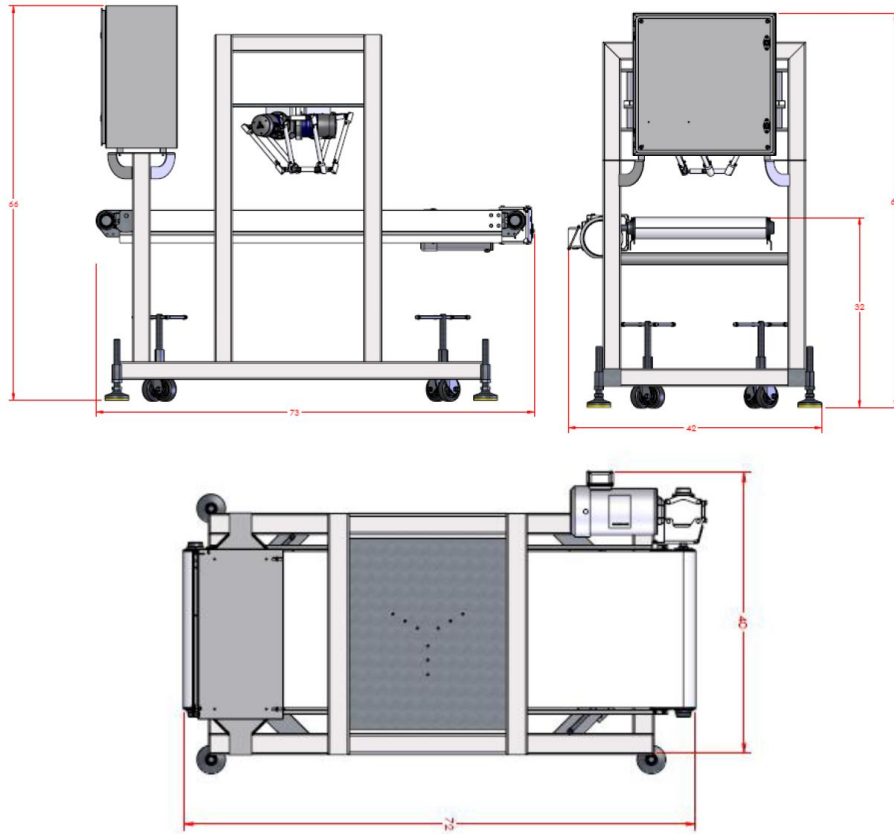
- Allen-Bradley PLC
- Touch screen and tablet interface
- Open frame design, for easy cleaning
- IP65 design with wash down and removable legs
- Nema 4X control cabinet
- Build in 6ft conveyer
- Conveyer speed 8ft min / 82ft min max
- All stainless steel construction
- Capable of decorating targets up to 14" in diameter



Decorations:

- Roses directly on to cake
- Writing
- Drawing
- Drizzling
- Swirl cupcake decoration
- Rose cupcake decoration
- Two color cupcake pack





Deposit Speed

6 or 12 pack cupcakes = 12 cycles a min.
Writing / drizzling = 6in/sec



Power Requirements

Electric: 480 volt, 30 amp single phase
Pneumatic: 8 cfm @ 80psi (5.5 bar)



Deposit Width

Up to 14" in diameter

Equipment Dimensions	
Height:	66"
Width:	40"
Length:	73"
Conveyer height:	32"

Note: Equipment quoted is designed to run at the quoted speed and is dependent on operator efficiency, skill, and deposit size and product consistency.

Shipping Information:

- Dimensions : 70 " high X 44" Wide X 76" long